

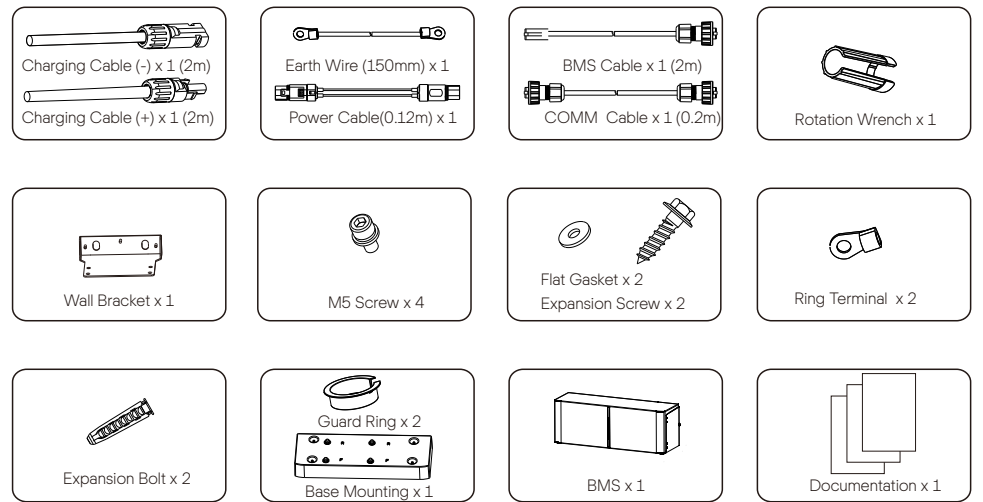
# Quick Installation Guide

## — Triple Power Lithium-ion Battery

1

### Packing List (BMS)

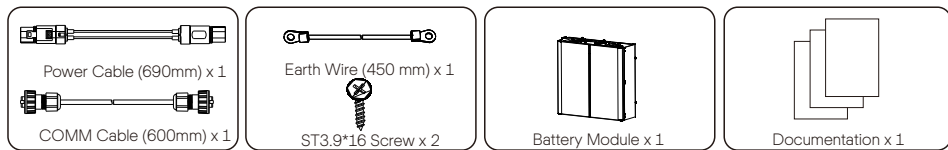
Note: The Quick Installation Guide briefly describes required installation steps. If you have any questions, refer to the User Manual enclosed with the BMS for more detailed information.



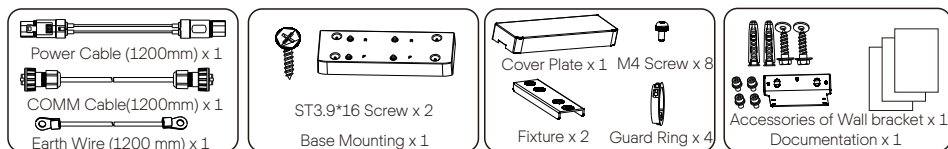
2

### Packing List (Battery Module)

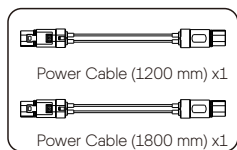
One Battery Module (HV10230 x 1):



Accessories (1) of three and four Battery Modules (HV10230 x 3/4):



Accessories (2) of three and four Battery Modules (HV10230 x 3/4):



Note: The two power cables need to be purchased separately

3

### Installation Prerequisites

Before installation, make sure that the installation site meets the following conditions:

- The building can stand up to earthquakes;
  - The site shall be over 0.62 miles away from the sea, to avoid damage caused by salt water and humidity;
  - The floor shall be flat;
  - No inflammable and explosive goods are placed within at least of 3 ft;
  - The ambience shall be shady and cool, away from heat sources and direct sunlight;
  - The temperature and humidity remain at a constant level;
  - The installation site requires less dust and dirt;
  - There are no corrosive gases, including ammonia and acid vapor; and
  - The same generation products are recommended to give priority to use.
- In practice, the requirements of battery installation may be different due to environment and locations. In that case, follow up the exact requirements of the local laws and standards.

#### Note!

The Triple Power battery module is rated at IP65 and thus can be installed outdoors as well as indoors. However, if installed outdoors, the battery pack shall not be exposed to direct sunlight and moisture.

#### Note!

If the ambient temperature exceeds the operating range, the battery pack will stop running to protect itself. The optimal temperature range for operation is 59°F/15°C to 86°F/30°C. Frequent exposure to harsh temperatures may deteriorate its performance and lifetime.

#### Note!

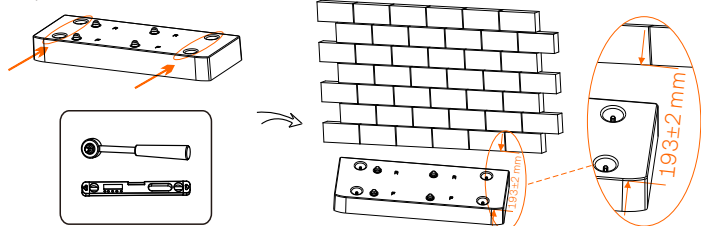
For the first installation, the interval among manufacture dates of battery modules shall not exceed 3 months.

4

### Installation Steps for BMS \* 1 + Battery \* 1

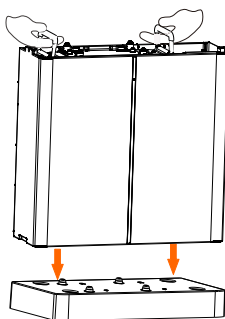
Before installation, please make sure the wall is strong enough to withstand the weight of Battery.

- ① Step 1: Locate the Base 193 ± 2 mm away from the wall, and adjust it with a torque wrench to ensure that it is parallel to the ground. A spirit level is required.

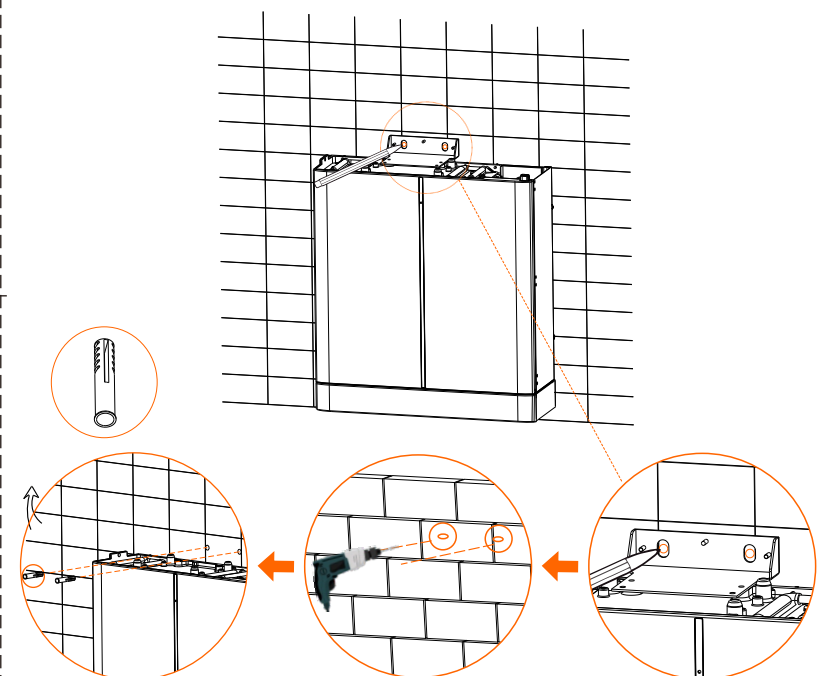


Note:  
The letter "R" and "F" on the Base respectively indicate Rear and Front. Therefore, the side with "R" shall be against the wall.

- ② Step 2: Place a battery module on the base.



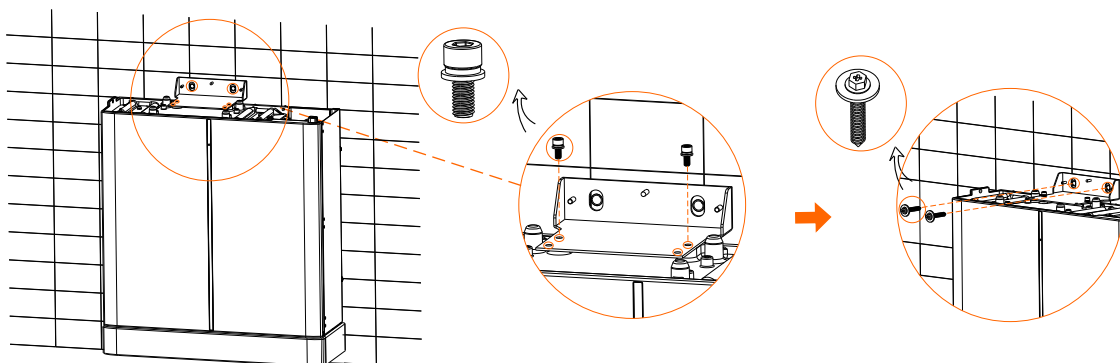
- ③ Step 3: Place the Wall Bracket, determine the position of holes, mark it with a pen, remove the Wall Bracket, and then drill the two holes (φ10 mm).  
Step 4: Place Expansion Bolts into the holes.



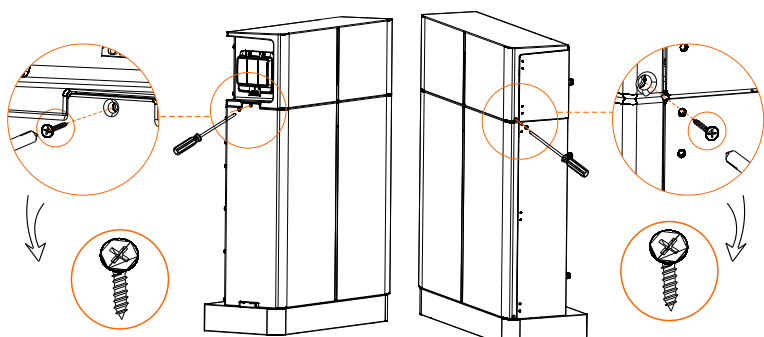
#### Note!

The Wall Bracket(s) must be installed to secure the battery module(s) connecting the cover or/and BMS.

- ④ Step 5: Secure the Wall Bracket to the battery using screws (2 X M5\*10, torque: 2.2-2.5 N·m) and to the wall using Tapping Screws (2 X ST6\*L55) and Flat Gaskets (2).

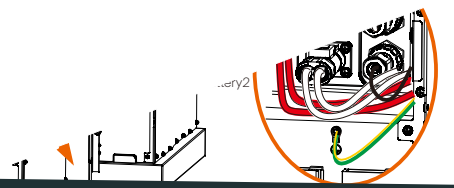


- ⑤ Step 6: Place BMS on the top of the battery module, and secure both left and right sides with M4 screws (2). See figure below.



#### Note!

Don't forget to screw both left and right sides of batteries installed. The above steps also apply to place 2 batteries. For details, please refer to User Manual.



be