



Single Phase Inverter with HD-Wave Technology

Installation Guide

For Europe, APAC and South Africa
Version 1.2

Disclaimers

Important Notice

Copyright © SolarEdge Inc. All rights reserved.

No part of this document may be reproduced, stored in a retrieval system or transmitted, in any form or by any means, electronic, mechanical, photographic, magnetic or otherwise, without the prior written permission of SolarEdge Inc.

The material furnished in this document is believed to be accurate and reliable. However, SolarEdge assumes no responsibility for the use of this material. SolarEdge reserves the right to make changes to the material at any time and without notice. You may refer to the SolarEdge web site (www.solaredge.com) for the most updated version.

All company and brand products and service names are trademarks or registered trademarks of their respective holders.

Patent marking notice: see <http://www.solaredge.com/patent>

The general terms and conditions of delivery of SolarEdge shall apply.

The content of these documents is continually reviewed and amended, where necessary. However, discrepancies cannot be excluded. No guarantee is made for the completeness of these documents.

The images contained in this document are for illustrative purposes only and may vary depending on product models.

Emission Compliance

This equipment has been tested and found to comply with the limits applied by the local regulations.

These limits are designed to provide reasonable protection against harmful interference in a residential installation. This equipment generates, uses and can radiate radio frequency energy and, if not installed and used in accordance with the instructions, may cause harmful interference to radio communications. However, there is no guarantee that interference will not occur in a particular installation. If this equipment does cause harmful interference to radio or television reception, which can be determined by turning the equipment off and on, you are encouraged to try to correct the interference by one or more of the following measures:

- Reorient or relocate the receiving antenna.
- Increase the separation between the equipment and the receiver.
- Connect the equipment into an outlet on a circuit different from that to which the receiver is connected.
- Consult the dealer or an experienced radio/TV technician for help.

Changes or modifications not expressly approved by the party responsible for compliance may void the user's authority to operate the equipment.

Revision History

Version 1.2 (July 2018)

- Update of product names
- Recommendation to mount the power optimizer in a location protected from direct sunlight
- DC Safety Unit bracket has 3 mounting holes
- Update regarding use of extension cables in power optimizer installation guidelines
- Addition of caution - installation in saline environment
- Recommendation to mount the power optimizer in a location protected from direct sunlight
- Addition of possibility to use compatible connectors from third-party manufacturers
- Power optimizer clearance - no clearance is required on the mounting bracket side
- Addition of reference to troubleshooting undetected devices application note
- Torque for grounding using the equipment grounding bus-bar: 3.4 N*M / 30 lb-in
- Setup mode: To use the LCD buttons when the inverter cover is removed, touch the white dots on the LCD button frames.
- Removed Ferrite bead on AC wires
- Addition of link to the Designer web page
- Updated warning about sealing unused power optimizer input connectors
- Output safe voltage is 1V ($\pm 0.1V$)
- Addition of mounting bracket type 2
- Mechanical specifications: Addition of inverter models (10kW and 11.4kW)

Version 1.1 (June 2016)

- Updated the Safety section:
 - New warning: The Safety Switch meets all requirements for a code-compliant installation of this system. The DC Disconnect Switch disconnects both the positive and negative conductors.
 - New important safety feature information for inverters with automatic rapid shutdown(PVRSS)
- Overview section updated (system image , additional safety voltage initiator: Rapid Shutdown (PVRSS))
- In Supported AC Grids, added: Ground connection is required for all grids
- In Power Optimizer Installation chapter:
 - Removed reference to racking models and their grounding methods
 - Removed mentioning of tracker
- In inverter Installation chapter:
 - In Inverter Interfaces - updated ON/OFF switch description, added warning regarding PVRSS
 - Added a caution about not altering the DC Safety Unit enclosure: SolarEdge does not permit opening or puncturing the Safety Switch in any location other than the pre-defined drill guide locations, or otherwise altering the construction of the enclosure, as this may compromise safety and will void the warranty.
- Connection to/from the Safety Switch:
 - AC grounding to bus-bar instead of terminal block - updated instructions and Safety Switch image
 - String fusing requirement note updated: Fuses needed for 4 strings or more (instead of 3).
 - Added conduit sealing requirement
- In Commissioning chapter:

- Updated the activation sequence
- Removed RS232 reference
- Rapid shutdown (PVRSS):
 - Added important safety information notes and warnings
 - For a compliant PV Rapid Shutdown installation, use no more than 30 optimizers per string.
 - Enabling PVRSS from the inverter menu is only required if the installed optimizers were manufactured before 2015, otherwise it is enabled by default.
 - Added testing PVRSS functionality after pairing
- In Configuration Menu Options:
 - Communication section:
 - Removed RS232 Conf
 - Added GSM Conf
 - Power Control section:
 - Removed Phase Balance link and info
 - Added link to P(Q) diagram application note
 - Maintenance section:
 - Added links to application notes (Upgrading the inverter using SD card; Isolation fault troubleshooting; Arc fault detection)
 - Removed Optimizer Conf
- Status Screens updates:
 - Meter status screen - added Power and Energy lines
 - Telemetry status screen - updated
 - GSM status screen - new
- Communication options - updated
- Inverter cover removal sequence - updated
- Added link to Arc Detection application note
- Troubleshooting:
 - Error codes moved to a separate document. A link was added to the manual.
 - Slave Detect and Slave List - updated
- Updated the technical specification document
- Removed Inverter Arc Detection and Interruption appendix

Version 1.0 (Sept. 2016)

Initial release

Support and Contact Information

If you have technical problems concerning SolarEdge products, please contact us:

Country	Phone	E-Mail
Australia (+61)	1800 465 567	support@solaredge.net.au
APAC (Asia Pacific)(+972)	073 240 3118	support-asia@solaredge.com
Belgium (+32)	0800-76633	support@solaredge.be
Netherlands (+31)	0800-7105	support@solaredge.nl
China (+86)	21 6212 5536	support_china@solaredge.com
DACH & Rest of Europe (+49)	089 454 59730	support@solaredge.de
France (+33)	0800 917410	support@solaredge.fr
Italy (+39)	0422 053700	support@solaredge.it
Japan (+81)	03 6262 1223	support@solaredge.jp
New Zealand (+64)	0800 144 875	support@solaredge.net.au
US & Canada (+1)	510 498 3200	ussupport@solaredge.com
United Kingdom (+44)	0800 028 1183	support-uk@solaredge.com
Greece (+49)	89 454 59730	support@solaredge.com
Israel (+972)	073 240 3122	
Middle East & Africa (+972)	073 240 3118	
South Africa (+27)	0800 982 659	
Turkey (+90)	216 706 1929	
Worldwide (+972)	073 240 3118	

Before contact, make sure to have the following information at hand:

- Model and serial number of the product in question.
- The error indicated on the LCD screen or on the monitoring platform or by the LED, if there is such an indication.
- System configuration information, including the type and number of modules connected and the number and length of strings.
- The communication method to the SolarEdge server, if the site is connected.
- The inverter software version as appears in the ID status screen.

Contents

Disclaimers	1
Important Notice	1
Revision History	2
Version 1.2 (July 2018)	2
Version 1.1 (June 2016)	2
Version 1.0 (Sept. 2016)	3
Support and Contact Information	4
Contents	5
HANDLING AND SAFETY INSTRUCTIONS	8
Safety Symbols Information	8
IMPORTANT SAFETY INSTRUCTIONS	9
Chapter 1: Introducing the SolarEdge Power Harvesting System	11
Power Optimizer	11
SolarEdge Inverter	11
Monitoring Platform	11
Installation Procedure	12
Installation Equipment List	12
Inverter Transport and Storage	13
Chapter 2: Installing the Power Optimizers	14
Safety	14
Installation Guidelines	15
Step 1: Mounting the Power Optimizers	16
Step 2: Connecting a PV Module to a Power Optimizer	16
Step 3: Connecting Power Optimizers in Strings	17
Step 4: Verifying Proper Power Optimizer Connection	17
Chapter 3: Installing the Inverter	19
Inverter Package Contents	19
Identifying the Inverter	19
Inverter Interfaces	19
Mounting the Inverter	20
Chapter 4: Connecting the AC and the Strings to the Inverter	22
Connecting the AC Grid to the Inverter	22
Connecting the Strings to the Inverter	23
Selecting a Residual Current Device (RCD)	24
Chapter 5: Commissioning the Installation	25
Step 1: Activating the System	25
Step 2: Pairing Power Optimizers to the Inverter	27
Step 3: Verifying Proper Activation	28
Reporting and Monitoring Installation Data	28
The Monitoring System	28
Providing Installation Information	29
Mapper Application	29
Creating a Site in the Monitoring Platform	30

Paper Template	30
Chapter 5: Configuring the Inverter	31
LCD Buttons	31
Inverter Configuration – Setup Mode	32
Configuration Menu Options	34
Country and Grid	34
Language	34
Communication	34
Power Control	36
Display	37
Maintenance	37
Information	37
Status Screens - Operational Mode	38
Initial Status	38
Main Inverter Status	38
Energy Meter Status	38
Telemetry Status	39
ID Status	40
Server Communication Status	40
IP Status	40
ZigBee Status	40
Wi-Fi Status	41
GSM Status	42
Communication Ports Status	42
Smart Energy Management Status	43
Power Control Status	43
Chapter 6: Setting Up Communication	44
Communication Options	44
Ethernet	44
RS485	44
Wi-Fi	45
Cellular	45
ZigBee	45
Communication Connector	45
Removing the Inverter Cover	46
Creating an Ethernet (LAN) Connection	47
Creating an RS485 Bus Connection	50
Verifying the Connection	53
Appendix A: Errors and Troubleshooting	54
Troubleshooting Communication	54
Troubleshooting Ethernet Communication	54
Troubleshooting RS485 Communication	55
Additional Troubleshooting	55
Error Codes	55
Power Optimizer Troubleshooting	60

Appendix B: Mechanical Specifications	62
Mounting Brackets Type 1	62
Mounting Bracket Type 2	63
Appendix C: Replacing and Adding System Components	64
Fuse Replacement	64
Replacing an Inverter	65
Appendix D: SafeDC™	67
Single Phase Inverter with HD-Wave Technology Technical Specifications	68

HANDLING AND SAFETY INSTRUCTIONS

During installation, testing and inspection, adherence to all the handling and safety instructions is mandatory. **Failure to do so may result in injury or loss of life and damage to the equipment.**

Safety Symbols Information

The following safety symbols are used in this document. Familiarize yourself with the symbols and their meaning before installing or operating the system.

WARNING!



Denotes a hazard. It calls attention to a procedure that, if not correctly performed or adhered to, could result in **injury or loss of life**. Do not proceed beyond a warning note until the indicated conditions are fully understood and met.

CAUTION!



Denotes a hazard. It calls attention to a procedure that, if not correctly performed or adhered to, could result in **damage or destruction of the product**. Do not proceed beyond a caution sign until the indicated conditions are fully understood and met.

NOTE



Denotes additional information about the current subject.

IMPORTANT SAFETY FEATURE



Denotes information about safety issues.

Disposal requirements under the Waste Electrical and Electronic Equipment (WEEE) regulations:



NOTE

Discard this product according to local regulations or send it back to SolarEdge.

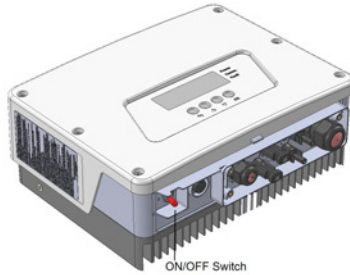
IMPORTANT SAFETY INSTRUCTIONS

SAVE THESE INSTRUCTIONS

WARNING!



The inverter cover must be opened only after shutting off the inverter ON/OFF switch located at the bottom of the inverter. This disables the DC voltage inside the inverter. Wait five minutes before opening the cover. Otherwise, there is a risk of electric shock from energy stored in the capacitors.



WARNING!



Before operating the inverter, ensure that the inverter AC power cable and wall outlet are grounded properly. This product must be connected to a grounded, metal, permanent wiring system, or an equipment-grounding conductor must be run with the circuit conductors and connected to the equipment grounding terminal or lead on the product.

WARNING!



Opening the inverter and repairing or testing under power must be performed only by qualified service personnel familiar with this inverter.

WARNING!



Do not touch the PV panels or any rail system connected when the inverter switch is ON, unless grounded.

WARNING!



SafeDC complies with IEC60947-3 when installing the system with a worst case SafeDC voltage (under fault conditions) < 120V.

The worst case voltage is defined as: $V_{oc,max} + (\text{String Length} - 1) * 1V$, where:

- $V_{oc,max}$ = Maximum V_{oc} (at lowest temperature) of the PV module in the string (for a string with multiple module models, use the max value)
- String Length = number of power optimizers in the string

CAUTION!



This unit must be operated according to the technical specification datasheet provided with the unit.

CAUTION!



HEAVY OBJECT. To avoid muscle strain or back injury, use proper lifting techniques, and if required - a lifting aid.


NOTE



Use PV modules rated according to IEC 61730 class A.

NOTE



The symbol  appears at grounding points on the SolarEdge equipment. This symbol is also used in this manual.

NOTE



A SolarEdge inverter may be installed in a site with a generator, however must not operate at the same time as the generator. Operating an inverter and a generator simultaneously will void the warranty. SolarEdge requires installing a physical or electronic interlock, which will prevent the generator and inverter from operating simultaneously. Interlock procurement, installation, maintenance and support are the responsibility of the installer. Damage to the inverter due to incorrect interlock installation or use of an interlock that is incompatible with the SolarEdge system will render the SolarEdge warranty invalid.

NOTE

The following warning symbols appear on the inverter warning label:



Risk of electric shock



5 Minutes

Risk of electric shock from energy stored in the capacitor. Do not remove cover until 5 minutes after disconnecting all sources of supply.



Hot surface – To reduce the risk of burns, do not touch.

Chapter 1: Introducing the SolarEdge Power Harvesting System

The SolarEdge power harvesting solution maximizes the power output from any type of solar Photovoltaic (PV) installation while reducing the average cost per watt. The following sections describe each of the system's components.

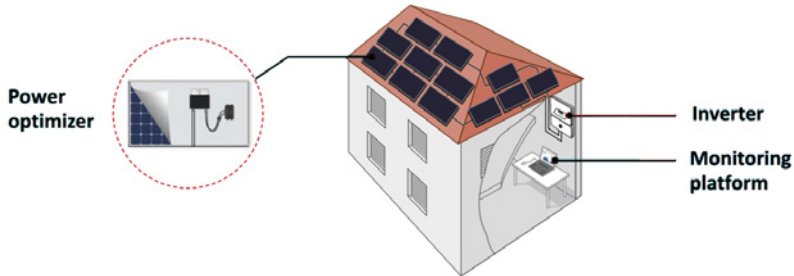


Figure 1: The SolarEdge power harvesting system components

Power Optimizer

The power optimizers are DC-DC converters connected to PV modules in order to maximize power harvesting by performing independent Maximum Power Point Tracking (MPPT) at the module level.

The power optimizers regulate the string voltage at a constant level, regardless of string length and environmental conditions.

The power optimizers include a safety voltage function that automatically reduces the output of each power optimizer to 1 Vdc in the following cases:

- During fault conditions
- The power optimizers are disconnected from the inverter
- The inverter ON/OFF switch is turned OFF
- The safety switch on the DC Safety Unit is turned OFF
- The inverter AC breaker is turned OFF

Each power optimizer also transmits module performance data over the DC power line to the inverter.

Two types of power optimizers are available:

- Module Add-on power optimizer – connected to one or more modules
- Smart modules - the power optimizer is embedded into a module

SolarEdge Inverter

The SolarEdge inverter efficiently converts DC power from the modules into AC power that can be fed into the main AC service of the site and from there to the grid. The inverter also receives the monitoring data from each power optimizer and transmits it to a central server (the SolarEdge monitoring platform; requires Internet connection).

Monitoring Platform

The monitoring platform enables monitoring the technical and financial performance of one or more SolarEdge sites. It provides past and present information on the system performance both at the system and module levels.

Installation Procedure

The following is the procedure for installing and setting up a new SolarEdge site. Many of these also apply to modification of an existing site.

1. [Connecting Power Optimizers in Strings](#), page 17.
2. [Recording power optimizer serial numbers \(optional\)](#), page 29.
3. [Mounting the inverter](#), Page 20.
4. [Connecting the AC and the Strings to the Inverter](#), page 22.
5. [Commissioning and activating the installation](#), page 25.
6. [Connecting the inverter to the monitoring platform](#), page 30.
7. [Configuring the inverter](#), page 31.

Installation Equipment List

Standard tools can be used during the installation of the SolarEdge system. The following is a recommendation of the equipment needed for installation:

- Allen screwdriver for 3mm screw type for the inverter cover, side screws, and Safety Switch cover (if applicable).
- Standard flat-head screwdrivers set
- Non-contact voltage detector
- Cordless drill or screwdriver and bits suitable for the surface on which the inverter will be installed
- Appropriate mounting hardware (for example: stainless bolts, nuts, and washers) for attaching:
 - the inverter mounting bracket to the mounting surface
 - the power optimizer to the racking (not required for smart modules)
- MC4 crimper
- Wire cutters
- Wire strippers
- Voltmeter

For installing the communication options, you may also need the following:

- For Ethernet:
 - CAT5/6 twisted pair Ethernet cable with RJ45 connector.
 - If using a CAT5/6 cable spool: RJ45 plug and RJ45 crimper
- For RS485:
 - Four- or six-wire shielded twisted pair cable
 - Watchmaker precision screwdriver set

Inverter Transport and Storage

Transport the inverter in its original packaging, facing up and without exposing it to unnecessary shocks. If the original package is no longer available, use a similar box that can withstand the weight of the inverter (refer to the inverter weight in the specification datasheet provided with the unit), has a handle system and can be closed fully.

Store the inverter in a dry place where ambient temperatures are -25°C - $+65^{\circ}\text{C}$ / -13°F - 149°F .

Chapter 2: Installing the Power Optimizers

Safety

The following notes and warnings apply when installing the power optimizers. Some of the following may not be applicable to smart modules:



WARNING!

When modifying an existing installation, turn OFF the inverter ON/OFF switch, the Safety Switch and the AC circuit breaker on the main AC distribution panel.



CAUTION!

Power optimizers are IP68/NEMA6P rated. Choose a mounting location where optimizers will not be submerged in water.



CAUTION!

This unit must be operated according to the operating specifications provided with the unit.



CAUTION!

Cutting the power optimizer input or output cable connector is prohibited and will void the warranty.



CAUTION!

All PV modules must be connected to a power optimizer.



CAUTION!

If you intend to mount the optimizers directly to the module or module frame, first consult the module manufacturer for guidance regarding the mounting location and the impact, if any, on module warranty. Drilling holes in the module frame should be done according to the module manufacturer instructions.



CAUTION!

Installing a SolarEdge system without ensuring compatibility of the module connectors with the optimizer connectors may be unsafe and could cause functionality problems such as ground faults, resulting in inverter shut down. To ensure mechanical compatibility of the power optimizers' connectors with the PV modules' connectors to which they are connected:

- Use identical connectors from the same manufacturer and of the same type on both the power optimizers and on the modules; or
- Verify that the connectors are compatible in the following way:
 - The module connector manufacturer should explicitly verify compatibility with the SolarEdge optimizer connector; and
 - A third-party test report by one of the listed external labs (TUV, VDE, Bureau Veritas UL, CSA, InterTek) should be obtained, verifying the compatibility of the connectors.



IMPORTANT SAFETY FEATURE

Modules with SolarEdge power optimizers are safe. They carry only a low safety voltage before the inverter is turned ON. As long as the power optimizers are not connected to the inverter or the inverter is turned OFF, each power optimizer will output a safe voltage of 1V.

Installation Guidelines

- Frame-mounted power optimizers are mounted directly on the module frame, regardless of racking system (rail-less or with rails). For installation of frame-mounted power optimizers, refer to http://www.solaredge.com/sites/default/files/installing_frame_mounted_power_optimizers.pdf.
- The steps in this chapter refer to module add-on power optimizers. For smart modules, start from *Step 3: Connecting Power Optimizers in Strings* on page 17. Also refer to the documentation supplied with the smart modules.
- The power optimizer can be placed in any orientation.
- If connecting more modules than optimizer inputs in parallel, use a branch cable. Some commercial power optimizer models have a dual input.
- Position the power optimizer close enough to its module so that their cables can be connected.
- Make sure to use power optimizers that have the required output conductor length:
 - Minimize the use of extensions between power optimizers.
 - You can use extension cables between rows and from the end of string to the inverter.
 - *Do not* use extension cables between the modules and the power optimizers, or between two power optimizers within a string.
- The minimum and maximum string length guidelines are stated in the power optimizer datasheets. Refer to the Designer for string length verification. The Designer is available on the SolarEdge website at http://www.solaredge.com/products/installer-tools/site-designer#.
- Completely shaded modules may cause their power optimizers to temporarily shut down. This will not affect the performance of the other power optimizers in the string, as long as the minimum number of unshaded power optimizers connected in a string of modules is met. If under typical conditions fewer than the minimum optimizers are connected to unshaded modules, add more optimizers to the string.
- To allow for heat dissipation, maintain a 2.5 cm / 1" clearance distance between the power optimizer and other surfaces, on all sides except the mounting bracket side.

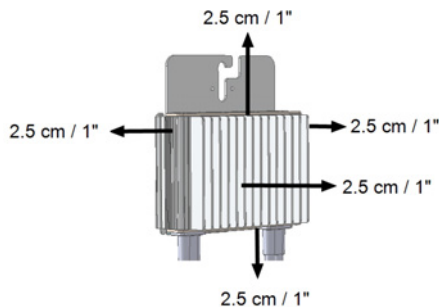


Figure 2: Power optimizer clearance



NOTE

The images contained herein are for illustrative purposes only and may vary depending on product models.

Step 1: Mounting the Power Optimizers

For each of the power optimizers¹:

1. Determine the power optimizer mounting location and use the power optimizer mounting brackets to attach the power optimizer to the support structure. It is recommended to mount the power optimizer in a location protected from direct sunlight. For frame-mounted power optimizers follow the instructions supplied with the optimizers, or refer to https://www.solaredge.com/sites/default/files/installing_frame_mounted_power_optimizers.pdf.
2. If required, mark the mounting hole locations and drill the hole.



CAUTION!

Do not drill through the power optimizer or through the mounting holes. The drilling vibrations can damage the power optimizer and will void the warranty.

3. Attach each power optimizer to the rack using M6 (1/4") stainless steel bolts, nuts and washers or other appropriate mounting hardware. Apply torque of 9.5 N*m / 7 lb*ft.
4. Verify that each power optimizer is securely attached to the module support structure.
5. Record power optimizer serial numbers and locations, as described in *Reporting and Monitoring Installation Data* on page 28.

Step 2: Connecting a PV Module to a Power Optimizer



NOTE

Images are for illustration purposes only. Refer to the label on the product to identify the plus and minus input and output connectors.

For each of the power optimizers:

- Connect the Plus (+) output connector of the module to the Plus (+) input connector of the power optimizer.
- Connect the Minus (-) output connector of the module to the Minus (-) input connector of the power optimizer.

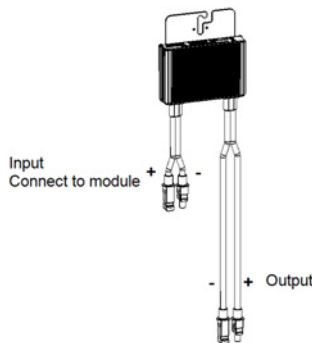


Figure 3: Power optimizer connectors

¹Not applicable to smart modules.

Step 3: Connecting Power Optimizers in Strings

You can construct parallel strings of unequal length, that is, the number of power optimizers in each string does not have to be the same. The minimum and maximum string lengths are specified in the power optimizer datasheets. Refer to the [Designer](#) for string length verification.



NOTE



- Use at least 11 AWG/ 4 mm² DC cables.
- The total cable length of the string (excluding power optimizers' cables) should not exceed 1000ft./300 m from DC+ to DC- of the inverter.

1. Connect the Minus (-) output connector of the string's first power optimizer to the Plus (+) output connector of the string's second power optimizer.
2. Connect the rest of the power optimizers in the string in the same manner.



WARNING!

If using a dual-input power optimizer and some inputs are not used, seal the unused input connectors with the supplied pair of seals.

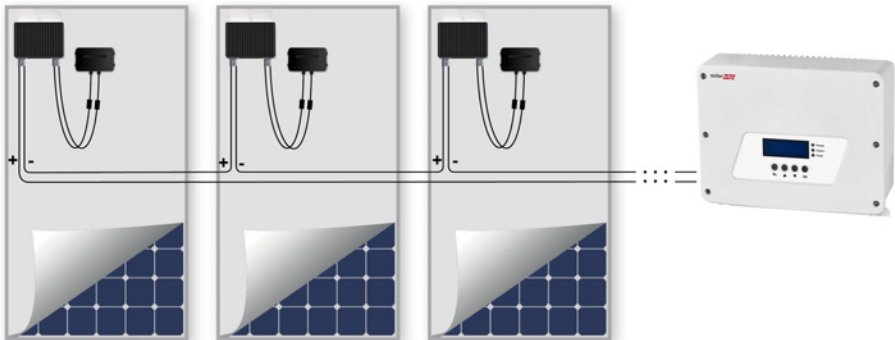


Figure 4: Power optimizers connected in series

3. If you intend to monitor the installation, using the monitoring platform, record the physical location of each power optimizer, as described in *Providing Installation Information* on page 29.

Step 4: Verifying Proper Power Optimizer Connection

When a module is connected to a power optimizer, the power optimizer outputs a safe voltage of 1V ($\pm 0.1V$). Therefore, the total string voltage should equal 1V times the number of power optimizers connected in series in the string. For example, if 10 power optimizers are connected in a string, then 10V should be produced.

Make sure the PV modules are exposed to sunlight during this process. The power optimizer will only turn ON if the PV module provides at least 2W.

In SolarEdge systems, due to the introduction of poweroptimizers between the PV modules and the inverter, the short circuit current I_{SC} and the open circuit voltage V_{OC} hold different meanings from those in traditional systems.

For more information about the SolarEdge system's string voltage and current, refer to the V_{OC} and I_{SC} in *SolarEdge Systems Technical Note*, available on the SolarEdge website at: http://www.solaredge.com/files/pdfs/isc_and_voc_in_solaredge_systems_technical_note.pdf.



► **To verify proper power optimizer connection:**

Measure the voltage of each string individually before connecting it to the other strings or to the inverter. Verify correct polarity by measuring the string polarity with a voltmeter. Use a voltmeter with at least 0.1V measurement accuracy.



NOTE

Since the inverter is not yet operating, you may measure the string voltage and verify correct polarity on the DC wires inside the Connection Unit.

For troubleshooting power optimizer operation problems, refer to *Power Optimizer Troubleshooting* on page 60.

Chapter 3: Installing the Inverter

Install the inverter either before or after the modules and poweroptimizers have been installed.



CAUTION!

Do not rest the connectors at the bottom of the inverter on the ground, as it may damage them. To rest the inverter on the ground, lay it on its back.

Inverter Package Contents

- One inverter
- Mounting bracket kit
- Installation guide (with activation card and instructions)
- For built-in wireless communication, antenna and mounting bracket

Identifying the Inverter

Refer to the sticker on the inverter that specifies its **Serial Number** and its **Electrical Ratings**. Provide the serial number when contacting SolarEdge support. The serial number is also required when opening a new site in the monitoring platform.

Inverter Interfaces

The following figure shows the inverter connectors and interfaces.

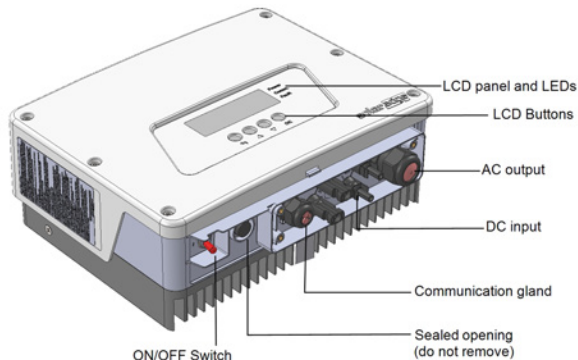


Figure 5: Inverter Interfaces

- **AC output:** For connection of the AC grid
- **DC input:** For connection of the PV installation
- **ON/OFF switch:** Turning this switch ON starts the operation of the power optimizers, enables power production and allows the inverter to begin exporting power to the utility grid. Turning it OFF reduces the power optimizer voltage to a low safety voltage and inhibits exportation of power. When this switch is OFF, the inverter control circuitry remains powered up.
- **LCD buttons:** Used for accessing configuration menu options and displaying status screens, as described in *Configuring the Inverter* on page 31. Pressing these buttons produces beeping sounds and lights up the LCD for 30 seconds.
- **Communication gland:** For connection of inverter communication options. Refer to *Setting Up Communication* on page 44 for more information.

- **Drain valve:** Drains any moisture that may be accumulated in the unit.
- **LCD panel:** Displays inverter information and configuration parameters
- **LCD LEDs:** Three LEDs located to the right of the LCD indicate the following inverter statuses:

Color	Description	Functionality
Green	Power production	<p>On - The inverter is producing power.</p> <p>Blinking - Standby mode. The inverter is in Standby mode until its working voltage is reached. The inverter then enters Production mode and produces power.</p> <p>Off - The inverter is not producing power. This may be during Night mode, when the inverter ON/OFF switch is OFF or when an error occurs.</p>
Yellow	Communication and inverter shutdown	<p>Blinking:</p> <ul style="list-style-type: none"> ○ Monitoring information is being received from a power optimizer. ○ The inverter is being shut down.
Red	Fault	<p>On - There is an error. Refer to <i>Errors and Troubleshooting</i> on page 54 for more information.</p> <p>Blinking - The inverter is being shut down.</p>

All LEDs turn on while the inverter is being configured.

Mounting the Inverter

The mounting brackets kit includes the following parts:

- Two brackets for mounting on a wall/ pole (screws not included)
- Two screws with washers for fastening the inverter brackets to the wall brackets.

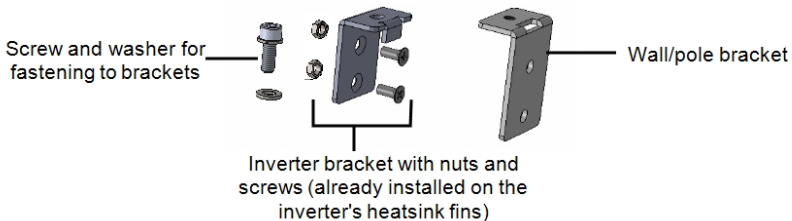


Figure 6: Mounting brackets and screws



NOTE

Make sure the mounting surface or structure can support the weight of the inverter.



CAUTION!

SolarEdge inverters can be installed at a minimum distance of 50 m/ 164 ft from the shoreline of an ocean or other saline environment, as long as there are no direct salt water splashes on the inverter.

1. Determine the inverter mounting location, on a wall, stud framing or pole. It is recommended to mount the inverter in a location protected from direct sunlight.
2. To allow proper heat dissipation, maintain the following minimum clearance areas between the inverter and other objects:

- If installing a single inverter:
 - 20 cm (8") from the top of the inverter.
 - At least 10 cm (4") from the bottom of the inverter.
 - 10 cm (4") from the right and left of the inverter.
 - If installing multiple inverters:
 - When installing inverters one above of the other, leave at least 40 cm (16") between inverters.
3. The inverter brackets are attached to the designated heatsink fins ready for wall mounting. For installation on a pole, remove the two brackets and attach them to the central heatsink fin one below the other (do not over tighten so the bracket height can be adjusted).

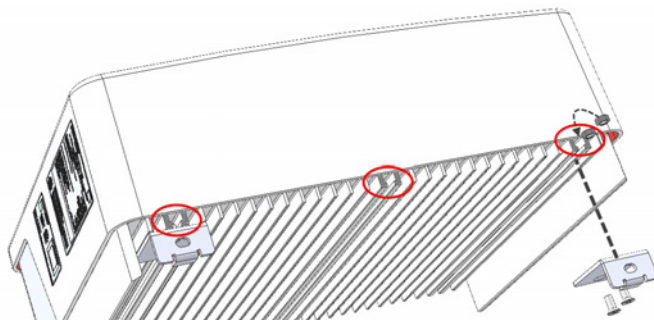


Figure 7: Mounting the inverter brackets

4. Position the wall mounting brackets against the wall/ pole and mark the drilling hole locations (refer to *Mechanical Specifications* on page 62 for inverter and mounting bracket dimensions).
5. Drill the holes and mount the brackets. Verify that the brackets are firmly attached to the mounting surface.
6. Hang the inverter on the bracket: Lift the inverter from the sides, or hold it at the top and bottom of the inverter to lift the unit into place. Lower the inverter so that the notches on the inverter brackets are inserted in the holes of the wall brackets, as shown below.

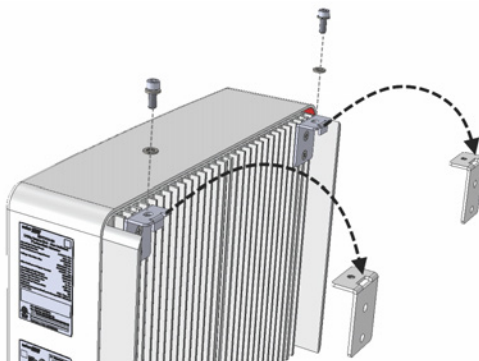


Figure 8: Hanging the inverter on the bracket

7. Insert the screws at the top of the inverter brackets and fasten the brackets together.
8. Verify that all the brackets are firmly attached to the mounting surface.

Chapter 4: Connecting the AC and the Strings to the Inverter

This chapter describes how to connect the inverter to the AC grid, and to the strings of modules with power optimizers.

Refer to the technical specifications provided with the inverter.

Connecting the AC Grid to the Inverter

The AC output gland can fit an AC cable external gauge of PG21 (9-16mm diameter).

The maximum wire size for the input terminal blocks is 16mm².

For more wiring information refer to the *SolarEdge Recommended AC Wiring Application Note*, available on the SolarEdge website at

<http://www.solaredge.com/files/pdfs/application-note-recommended-wiring.pdf>.



1. Turn OFF the AC circuit breaker.
2. Open the inverter cover: Release the Allen screws and carefully move the cover horizontally before lowering it.



CAUTION!

When removing the cover, make sure not to damage internal components. SolarEdge will not be held responsible for any components damaged as a result of incautious cover removal.

3. Strip 58 mm / 2.32" of the external cable insulation and strip 8 mm / 0.32" of the internal wire insulation.

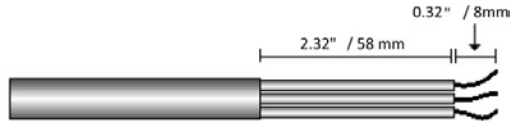


Figure 9: Insulation stripping – AC (3-wire cable)

4. Open the AC cable gland and insert the cable through the gland (see *Figure 5*).



WARNING!

Turn OFF the AC before connecting the AC terminals. If connecting equipment grounding wire, connect it before connecting the AC Line and Neutral wires.

5. Connect the AC wires according to the labels on the terminal block.

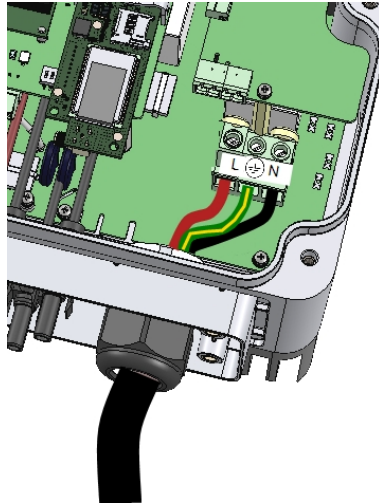


Figure 10: AC connection

6. Tighten the screws of each terminal with a torque of 1.2-1.5 N*m / 0.88-1.1 lb*ft.
7. Check that the wires are fully inserted and cannot be pulled out easily.
8. Tighten the AC cable gland with a torque of 2.8-3.3 N*m / 2.0-2.4 lb*ft.
9. Verify that there are no unconnected wires to the inverter and that the unused terminal screws are tightened.

Connecting the Strings to the Inverter

Connect the string to the DC input pairs. If required, connect additional strings in parallel using an external combiner box/branch cables before connecting to the inverter.



NOTE
Functional electrical earthing of DC-side negative or positive poles is prohibited because the inverter has no transformer. Grounding (earth ground) of module frames and mounting equipment of the PV array modules is acceptable.



NOTE
SolarEdge's fixed input voltage architecture enables the parallel strings to be of different lengths. Therefore, they do not need to have the same number of power optimizers, as long as the length of each string is within the permitted range.

Connect the DC connectors of each string to the DC+ and DC- connectors .

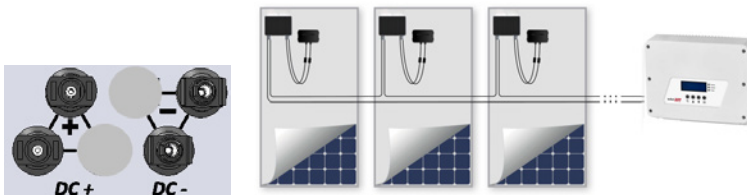


Figure 11: Inverter DC Connections

Selecting a Residual Current Device (RCD)

IMPORTANT SAFETY FEATURE



All SolarEdge inverters incorporate a certified internal Residual Current Device (RCD) in order to protect against possible electrocution and fire hazard in case of a malfunction in the PV array, cables or inverter. There are 2 trip thresholds for the RCD as required for certification (DIN VDE 0126-1-1). The default value for electrocution protection is 30 mA, and for slow rising current is 300 mA.

If an external RCD is required by local regulations, check which type of RCD is required for the relevant electric code. Install the residual-current device (RCD) in accordance with the applicable local standards and directives. SolarEdge recommends using a type-A RCD. The recommended RCD value is 100 mA or 300 mA unless a lower value is required by the specific local electric codes. When required by local regulations, the use of an RCD type B is permitted.



NOTE

For multiple inverters, an RCD per inverter is required.

In installations where the local electric code requires an RCD with a lower leakage setting, the discharge current might result in nuisance tripping of the external RCD. The following steps are recommended to avoid nuisance tripping of the external RCD:

- Select the appropriate RCD for correct operation of the installation: An RCD with a rating of 30 mA may actually trip at a leakage as low as 15 mA (according to IEC 61008). High quality RCDs will typically trip at a value closer to their rating.
- Configure the trip voltage of the inverter's internal RCD to a lower value than the trip current of the external RCD. The internal RCD will trip if the current is higher than the allowed current, but because the internal inverter RCD automatically resets when the residual currents are low it saves the manual reset.

For detailed information, refer to the *RCD Selection for SolarEdge Inverters Application Note*, available on the SolarEdge website at

http://www.solaredge.com/sites/default/files/application_note_ground_fault_rcd.pdf.



Chapter 5: Commissioning the Installation

This chapter describes how to activate the system, pair the poweroptimizers to the inverter and verify the proper functioning of the system.

Step 1: Activating the System

1. Verify that the inverter ON/OFF switch is OFF.
2. If not already removed, remove the inverter cover: Open the inverter cover's six Allen screws and carefully pull the cover horizontally before lowering it.



WARNING!

ELECTRICAL SHOCK HAZARD. Do not touch uninsulated wires when the inverter cover is removed.

3. Activate the inverter:
 - a. Verify that the card S/N matches the inverter S/N.
 - b. Insert the card into the slot marked "CARD" on the communication board.
 - c. Turn AC ON.
 - d. LCD shows: Running Script... → Done!

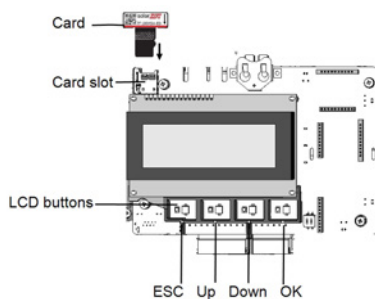


Figure 12: Communication board and activation card

If LCD shows: Failed:

- Turn AC OFF and ON (reset), and repeat the activation process.
- Use the activation code that appears on the certification inverter label to manually activate the inverter.
- If the problem persists, contact SolarEdge Support.



NOTE

You can use the activation code that appears on the certification inverter label to activate the inverter in case of a script error or a missing activation card.

4. Verify that the inverter is configured to the proper country: Press the up or down buttons until reaching the ID status screen:

```
DSP1 / 2 : 1.0210 / 1.0034
CPU : 0003.19xx
Country : ESP
```

5. If required, perform any additional connections before closing the inverter cover (for example: Communication options connection – refer to *Setting Up Communication* on page 44)

6. Close the inverter cover by tightening the screws with a torque of 3.0N*m/ 2.2 lb*ft.
7. If an additional external DC switch is installed between the power optimizers and the inverter(s) then turn it ON.

A status screen similar to the following appears on the LCD panel:

V a c [V]	V d c [V]	P a c [w]
2 4 0 . 7	1 4 . 1	0 . 0
P _ O K : 0 0 0 / 0 0 0		< S _ O K >
		O F F

8. Verify that the following information appears on the LCD panel:
 - **P_OK**: Appears only upon pairing process completion and first telemetry reception from the power optimizers. Indicates connection to the power optimizers and that at least one power optimizer is sending monitoring data.
 - **000/000**: Appears only upon first telemetry reception from the power optimizers. Indicates the number of power optimizers that have been paired to this inverter.
 - **S_OK**: the connection to the SolarEdge monitoring platform is successful (should appear only if the inverter is connected to the server). If S_OK is not displayed and the inverter is connected to the server, refer to *Errors and Troubleshooting* on page 54.
 - **Vac [V]**: the grid AC output voltage. Verify the correct value.
 - **Vdc [V]**: The DC input voltage of the longest string connected to the inverter. There should be a safety voltage of 1V for each power optimizer in the string.



NOTE

A measurement error on the inverter LCD of ± 3 V is acceptable.

- **Pac [w]**: the AC output power (should be **0.0** since the inverter is OFF).
- **OFF**: The inverter ON/OFF switch is in the OFF position.

Step 2: Pairing Power Optimizers to the Inverter

Once all connections are made, all the power optimizers must be logically paired to their inverter. The power optimizers do not start producing power until they are paired. This step describes how to assign each inverter to the power optimizers from which it will produce power.

Perform this step when the modules are exposed to sunlight. If the string length is changed or a power optimizer is replaced, repeat the pairing process.

1. Perform pairing: Press and hold down the inverter LCD OK button for about **10 seconds**. The following message is displayed:

```
Keep holding button
for pairing, release
to enter menu...
Remaining:      3 sec
```

Keep holding for 5 seconds until the following is displayed:

```
Pairing
Turn Switch To On
```

2. Turn the inverter ON/OFF switch to ON within 5 seconds. If you wait longer than 5 seconds the inverter exits the pairing mode. The following message is displayed indicating that the inverter is performing the pairing:

```
Pairing
Remaining [sec]:180
```

3. Wait for the completion of the pairing (remaining seconds is 0). If pairing fails, an error is displayed. In this case, repeat the pairing steps, and refer to *Power Optimizer Troubleshooting* on page 60. If the problem persists, contact SolarEdge Support. When pairing succeeds, the following message is displayed:

```
Pairing
Pairing Completed
```

The system startup process begins:

Since the inverter is ON, the power optimizers start producing power and the inverter starts converting AC.



WARNING!

When you turn ON the inverter ON/OFF switch, the DC cables carry a high voltage and the power optimizers no longer output a safe 1V output.

When the inverter starts converting power after the initial connection to the AC, the inverter enters Wakeup mode until its working voltage is reached. This mode is indicated by the flickering green inverter LED.

While the inverter is in Wakeup mode, it monitors the grid and verifies correct grid voltage and frequency. The following message is displayed:

```
Waking Up . . .
Remaining: 051 Sec
```

The countdown indicates the seconds remaining until entering the Production mode. This time is in accordance with local regulations and is typically between three to five minutes.

When countdown is complete, the inverter enters Production mode and produces power. The steadily lit green inverter LED indicates this mode.

Step 3: Verifying Proper Activation

After the wake-up time is over, a status screen similar to the following appears on the inverter LCD panel:

```
Vac [V]  Vdc [V]  Pac [W]
240.7   371.9   2349.3
P_OK:   XXX/YYY  <S_OK>
                                ON
```

1. Verify the following:

- The green inverter LED is steadily lit.
- The ON/OFF indicator on the LCD panel reads **ON**.
- **P_OK: XXX/YYY**: There is a connection to the power optimizers and at least one power optimizer is sending monitoring data. Optimizers send telemetries in a frequency of up to 10 minutes.
- **S_OK** appears, if the inverter is connected to the SolarEdge monitoring platform.
- **Vac [V]** specifies the measured grid AC output voltage.
- **Vdc [V]** specifies the DC input voltage, which should be approximately the inverter DC voltage (model dependent; refer to the inverter datasheet)
- **Pac [W]** specifies the AC output power produced.

2. Take note of the serial number on the inverter label using the detachable 2D barcode sticker on each device. This information is used in the SolarEdge monitoring platform to identify this inverter.

Your SolarEdge power harvesting system is now operational.

Reporting and Monitoring Installation Data



NOTE

This step requires connecting one of the communication options. Refer to *Setting Up Communication* on page 44.

The Monitoring System

The monitoring platform enables accessing site information, including up-to-date information viewed in a physical or logical view. The monitoring platform is described in detail in the *Monitoring Platform User Guide*, available on the SolarEdge website at <http://www.solaredge.com/files/pdfs/solaredge-monitoring-platform-user-guide.pdf>. The monitoring platform can display logical and physical layouts of the installed system, as follows:



- **Logical Layout**: Shows a schematic logical layout of the components in the system, such as: inverters, strings and modules, as well as their electrical connectivity. This view enables you to see which modules are connected in each string, which strings are connected to each inverter, and so on.

- **Physical Layout:** Shows a schematic physical layout of the components in the system, such as: inverters, strings and modules, as well as their electrical connectivity. This view enables a bird's eye view of the actual location of a system component.

Using the platform, you can:

- View the latest performance of specific components.
- Find under-performing components, such as modules, by comparing their performance to that of other components of the same type.
- Pinpoint the location of alerted components using the physical layout.
- See how components are connected to each other.
- Pair power optimizers remotely.

To display a logical layout, insert the inverter serial number in the new site created in the application. When the communication between the inverter and the monitoring server is established, the logical layout is displayed.

To display a physical layout, you need to map the locations of the installed power optimizers. To generate a physical mapping, use either the Site Mapper application or the physical layout editor in the monitoring platform.

The logical and physical mapping can be used for debugging a problem using the monitoring platform.

If you do not report the physical and logical mapping of the installed power optimizers to SolarEdge, the monitoring platform will show the logical layout indicating which power optimizers are connected to which inverter, but will not show strings or the physical location of power optimizers.

The inverter may be connected to the monitoring platform via LAN or by using a ZigBee Gateway system or a Cellular Plug-in. Alternatively, you can use RS485 chain (bus) connection to connect multiple SolarEdge devices to one inverter that is already connected to the server, in a master/slave configuration. Refer to *Setting Up Communication* on page 44.

Providing Installation Information

Use one of the following methods to connect your PV system to the monitoring platform.

Mapper Application

Android

Use the Mapper smart-phone application to scan the power optimizer and inverter 2D bar-codes, and map the system physical layout in the monitoring platform. This application is integrated with the monitoring platform and enables:

- Simple on-site registration of new systems.
- Creating, editing and verifying system physical layout.
- Scanning and assigning the power optimizer serial number to the correct location in the system physical layout.

For detailed information, refer to the *Mapper* demo movies:

- [Creating new sites using the Mapper mobile application](#)
- [Mapping power optimizers using the Mapper mobile application](#)



iPhone

Use the Mapper smartphone application to scan the power optimizer and inverter 2D bar-codes. This application creates an XML file that can be uploaded to the monitoring platform during site registration. The Mapper can be downloaded from the application stores.

For detailed information, refer to the *Mapper Software Guide* or to the *Site Mapper* demo movie, available on the SolarEdge website at

<http://www.solaredge.com/groups/installer-tools/site-mapper>.



Creating a Site in the Monitoring Platform

Create the site in the monitoring platform using the registration form available at <https://monitoring.solaredge.com/solaredge-web/p/login>. Fill out all required information in the form, which includes information about your installation, as well as details about its logical and physical mapping.



Paper Template

Fill out the Physical Layout Template (downloadable from the SolarEdge site) using the detachable 2D barcode stickers on each power optimizer. Once the form is completed, scan it and upload the scanned file to the monitoring platform during site registration.

For an example paper template, refer to <http://www.solaredge.com/files/pdfs/physical-layout-template.pdf>.



Chapter 5: Configuring the Inverter

This chapter describes the interfaces to use for inverter configuration, and the configuration procedures.

LCD Buttons

Use the four buttons located beneath the LCD panel for controlling the LCD menus, setting the inverter configuration, and moving between the inverter status screens.

To use the LCD buttons when the inverter cover is removed, touch the white dots on the LCD button frame.

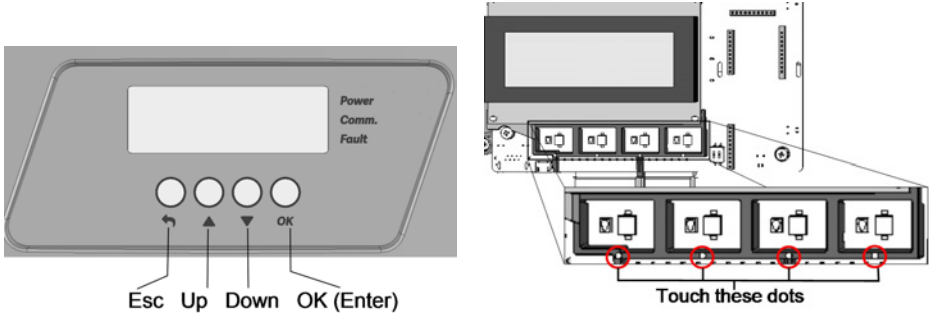


Figure 13: LCD buttons

Use the four user buttons to control the LCD panel menus:

- **Esc:** Moves the cursor (>) to the beginning of the currently displayed parameter; goes to the previous menu, and cancels a value change with a long press (until **Aborted** is displayed).
- **Up (1)** and **Down (2):** Moves the cursor from one menu option to another, moves among the characters of a displayed parameter, and toggles between possible characters when setting a value.
- **OK/Enter (3):** Selects a menu option and accepts a value change with a long press (until **Applied** is displayed).

Use the three rightmost buttons **Up**, **Down** and **OK** sequentially for entering the Setup mode.

The LCD screen displays status information of the system and various menus for configuration options.

The LCD panel and buttons are used during the following processes:

- **Operational mode:** The LCD panel allows checking for proper system operation. Refer to *Status Screens - Operational Mode* on page 38 for a description of this option. Use the up and down buttons to toggle through the informative displays.
- **Setup mode:** Upon installation, an installer may perform basic configuration, as described in *Inverter Configuration – Setup Mode* on page 32.
- **Error messages:** In the event of a problem, an error message may be displayed on the LCD panel. For more information, refer to *Errors and Troubleshooting* on page 54 and *Inverter Configuration – Setup Mode* on page 32.

Inverter Configuration – Setup Mode

After inverter installation, an installer may perform basic system configuration. Configuration is done when the inverter is in Setup mode.

▶ To enter Setup mode:

1. Turn the inverter ON/OFF switch to OFF (AC remains ON).

WARNING!

If the inverter was operating properly (power was produced by the power optimizers), the following message is displayed.



```
DC VOLTAGE NOT SAFE
DO NOT DISCONNECT
VDC: 72.0
```

This message is displayed until the DC voltage is safe (50V). Do not open the cover until the voltage is safe or until at least five minutes have passed.

2. Press the **OK** button for at least 5 seconds. The following message is displayed:

```
Please enter
Password
*****
```

3. Press the **Up**, **Down** and **OK** buttons (Up=1, Down=2, OK=3) for entering the Setup mode password: **▲▼ OK ▲▼OK ▲▼** (12312312).

The inverter is now in Setup mode and all its LEDs are lit. The inverter automatically exits Setup mode if no buttons are pressed for more than 2 minutes.

The following shows a hierarchical tree of the menu options, which are described in *Configuration Menu Options* on page 34. Actual menus may vary from shown depending on the firmware version of the inverter and on the country.

Main menu:

Country:

```
Germany+
Spain
France
.
.
.
```

Language:

```
English
German
Spanish
French
Italian
```

Communication:

```
Server <LAN>
LAN Conf
RS485-1 Conf <S>
ZigBee Conf <S>
Cellular Conf
GPIO Conf <MTR>
```

Power Control:

```
Grid Control <En>
Energy Manager
RRCR Conf.
Reactive Pwr Conf.
Active Pwr Conf.
Phase Balance <Dis>
Wakeup Conf.
P(f)
Advanced
Load Defaults
```

Display:

```
Temperature <C>
LCD On Time <30>
```

Maintenance:

```
Date and Time
Reset Counters
Factory Reset
FW Upgrade
Diagnostics
Grid Protection
Board Replacement
```

Information:

```
Versions
Error Log
Warning log
Hardware IDs
```

Configuration Menu Options

This section describes how to use the LCD menus for configuring the inverter.

Country and Grid

1. Select the **Country** option to specify the country or region in which the inverter is installed and the grid to which it is connected. This parameter may arrive pre-configured. If so, verify that it is set to the proper country or region.



WARNING!

The inverter must be configured to the proper country/ region in order to ensure that it complies with the country grid code and functions properly with the country grids.

A list of countries is displayed. If no country is configured, the value is <NONE>.



NOTE

If an inverter is not configured to any country, it will not produce energy, and the following message will be displayed on the LCD:

No Country Selected

A plus sign (+) near the country indicates that another menu will be displayed after selection.

2. Confirm your country selection in the confirmation screen: Toggle to **YES** and press **Enter**.

Language

1. Select the **Language** option to set the language in which the LCD should display.
2. Confirm your language selection in the confirmation screen: Toggle to **YES** and press **Enter**.

Communication

1. Select the **Communication** option to define and configure:
 - The communication option used by the inverter to communicate with the SolarEdge monitoring platform
 - The communication option used to communicate between multiple SolarEdge devices or other external non-SolarEdge devices, such as energy meters or loggers.
2. Select **Server** to set which communication method is used to communicate between devices and the monitoring platform. Refer to *Setting Up Communication* on page 44 for a full description of these communication options.



NOTE

The Server menu shows only the communication options installed in the inverter.

The following shows a hierarchical tree of the menu options in the **Communication** menu.

For detailed information about all the configuration options, refer to the *Communication Options Application Note*, available on the SolarEdge website at

http://www.solaredge.com/files/pdfs/solaredge-communication_options_application_note_v2_250_and_above.pdf.



Communication¹:

```
Server<LAN>
LAN Conf
RS485-1 Conf<S>
ZigBee Conf<S>
Cellular Conf
GPIO Conf <MTR>
```

Server:

```
LAN
RS485
Zigbee
Wi-Fi
Cellular
None
```

LAN Conf:

```
IP Config
Set DHCP <en>
Set IP
Set Mask
Set Gateway
Set DNS
Set Server Addr
Set Server Port
Modbus TCP<Dis>
```

RS485-1 Conf:

```
Device Type <SE>
Protocol <M>
Device ID <1>
Slave Detect <#>
Cluster SLV Detect
Long Slave Detect <#>
Slave List <#>
Multi-Inv. Set
```

ZigBee Conf. (enabled only if the ZigBee internal card is connected):

```
Device Type<SE>
Protocol<MPS>
Device ID<1>
PAN ID
Scan Channel
Load ZB Defaults
```

¹When using the SolarEdge GSM products, RS232 Conf menu is unavailable.

RS232 Conf1:

```
Device Type<SE>
Protocol<GSM>
Set APN
Set Modem Type
Set User Name
Set Password
```

GPIO Conf:

```
Device Type <RRCR>
```

Power Control

```
Grid Control <En>
Energy Manager
RRCR Conf.
Reactive Pwr Conf.
Active Pwr Conf.
Phase Balance <Dis>
Wakeup Conf.
P ( f )
Advanced
Load Defaults
```

Power control options are detailed in the *Power Control Application Note*, available on the SolarEdge website at http://www.solaredge.com/files/pdfs/application_note_power_control_configuration.pdf.

The Grid Control option may be disabled. Enabling it opens additional options in the menu.

The Energy Manager option is used for setting power export limitation, as described in the *Export Limitation Application Note*, available on the SolarEdge website at http://www.solaredge.com/files/pdfs/products/feed-in_limitation_application_note.pdf.

For P(Q) diagram refer to https://www.solaredge.com/sites/default/files/application_note_p_q_diagram_of_se_inverters_en_and_na.pdf



NOTE



SolarEdge inverters with “Grid Support” functionality (as marked on the inverter certification label), are compliant with UL 1741 Supplement A. The functionality is built into the inverter and no additional external device is required.

¹When using the SolarEdge GSM products this menu is unavailable.

Display

Select **Display** to set the following:

```
Temperature <C>
LCD On Time <30>
```

- **Temperature:** Select Celsius or Fahrenheit units.
- **LCD On Time <30>:** The number of seconds that the LCD backlight is ON after pressing the LCD light button. Set a value within the range of 10-120 seconds.

Maintenance

Select **Maintenance** to set the following options:

```
Date and Time
Reset Counters
Factory Reset
FW Upgrade
Diagnostics
Grid Protection
Board Replacement
```

- **Date and Time:** Set the internal real-time clock. If connected to the SolarEdge monitoring platform, the date and time are set automatically and only time zone should be set.
- **Reset Counters:** Resets the accumulated energy counters that are sent to the SolarEdge monitoring platform
- **Factory Reset:** Performs a general reset to the default device settings.
- **FW Upgrade:** Perform a software upgrade by using an SD card. Refer to [upgrading an inverter using micro sd card.pdf](#).



- **Diagnostics:** Displays the Isolation Status and optimizers status screens. Refer to www.solaredge.com/files/pdfs/application_note_isolation_fault_troubleshooting.pdf.



- **Standby Mode:** Enables/disables Standby Mode - for remote commissioning.
- **Grid Protection:** Available in specific countries. Enables viewing and setting grid protection values.
- **Optimizer Conf.:** Opens the Rapid Shutdown menu, to enable/disable PVRSS.

Information

Select **Information** to display the following options:

```
Versions
Error Log
Warning log
Hardware IDs
```

- **Versions:** Displays inverter firmware versions:
 - **ID:** The inverter ID.
 - **DSP 1/2:** The DSP digital control board firmware version
 - **CPU:** The communication board firmware version



NOTE

Please have these numbers ready when you contact SolarEdge Support.

- **Error Log:** Displays the last five errors.
- **Warning Log:** Displays the last five warnings.
- **Hardware IDs:** Displays the following HW serial numbers (if exist, and connected to the inverter):
 - **ID:** the inverter's ID
 - **RGM1** (Revenue Grade Meter): Energy Meter with Modbus Connection
 - **RGM2:** A second external Energy Meter with Modbus Connection
 - **ZB:** ZigBee MAC address

Status Screens - Operational Mode

During normal operation pressing the LCD buttons turns on the LCD backlight. Additional presses display the following screens one after the other.

Initial Status

```
Vac [V]  Vdc [V]  Pac [W]
240.7    371.9    2349.3
P_OK :   XXX / YYY <S_OK>
                   ON
```

- **Vac [V]:** The AC output voltage
- **Vdc [V]:** The DC input voltage
- **Pac [W]:** The AC output power

Main Inverter Status

```
Vac [V]  Vdc [V]  Pac [W]
240.7    371.9    3210.0
Fac [Hz]  OPs_Ok  Temp
50.0     11       28.2
```

- **Vac [V]:** The AC output voltage.
- **Vdc [V]:** The DC input voltage.
- **Pac [W]:** The AC output power.
- **Fac [Hz]:** The AC output frequency.
- **OPs_Ok:** Number of optimizers sending telemetries (indicating that they are paired)
- **Temp [C or F]:** The inverter heat sink temperature

Displays the total energy produced during the last day, month, year and since inverter installation.

```
Day [ Wh ] : 0 . 0
Month [ KWh ] : 0 . 0
Year [ KWh ] : 0 . 0
Total [ KWh ] : 0 . 0
```

- **Day:** since midnight
- **Month:** since 1st of the current month until today (inclusive)
- **Year:** since January 1st until today (inclusive)

If a meter is connected to the inverter, the following status screen, showing the power and energy readings, is displayed in addition to the above screen.

If the meter is set to Export +Import, there are two status screens, with the first line displaying: "Export Meter" or "Import Meter". The following is an example of an export meter status:

```
Export Meter
Status : <OK / Error # >
Power [ W ] : xxxxxx . x
Energy [ Wh ] : xxxxxx . x
```

- **Status:** Displays OK if the meter is communicating with the communication board.
- **<Error message>:** If there is a meter error, it is displayed in this line.
- **Power (W):** Depending on the meter type connected to the inverter, this line displays the exported or imported power in Watts.
- **Energy (Wh):** The total energy read by the meter, in Watt/hour. The value displayed in this line depends on the meter type connected to the inverter and its location:
 - If a bidirectional meter is connected at the consumption point, this value is the consumed energy.
 - If the meter is installed at the production connection point, this value is the energy produced by the site.
 - If the meter is installed at the grid connection point, this value is the energy exported to the grid.

If the inverter is connected to the SolarEdge server, this value will also be displayed in the monitoring platform.



NOTE
This data is accumulated according to an internal real-time clock.

Telemetry Status

This screen displays the last power optimizer telemetry received. The display changes as each power optimizer sends its telemetry.

In order to verify proper installation, the installer may view the Telemetry window for some time in order to observe the power optimizers' report process.

```
Module : 10288063 1B
Energy [ Wh ] : 56 . 7
Vdc_O [ V ] : 40 . 0
Vdc_I [ V ] : 38 . 3
I_in [ A ] : 7 . 8
Temp [ C ] : 28 . 0
```

- **Module:** Power optimizer serial number
- **Energy:** power optimizer energy

- **Vdc_O**: Power optimizer output voltage
- **Vdc_I**: Power optimizer input voltage (module voltage)
- **I_in**: Power optimizer input current
- **Temp**: Power optimizer temperature

ID Status

This screen displays the inverter software version and the country to which the inverter is configured.

```
DSP1/2:1.0210/1.0034
CPU:0003.19xx
Country:ESP
```

- **ID**: The inverter ID.
- **DSP 1/2**: The DSP digital control board firmware version
- **CPU**: The communication board firmware version
- **Country**: the current country setting

Server Communication Status

```
Server:LAN <S_OK>
Status: <OK>
xxxxxxx
<ERROR MESSAGE>
```



NOTE

If the connection method is CDMA (referred to as "Cellular" in the status screens) or GSM, the server screen is replaced with the Cellular or GSM status screens (see *Status Screens - Operational Mode* on page 38 and *GSM Status* on page 42).

- **Server**: The method of connection to the SolarEdge monitoring platform.
- **S_OK**: The connection to the SolarEdge monitoring platform is successful (should appear only if the is connected to the server).
- **Status**: Displays OK if the inverter established successful connection and communication with the specified server port/ (LAN, RS485, Wi-Fi or ZigBee Plug-in).
- **xxxxxxx**: Eight-bit Ethernet communication connection status: A string of 1s and 0s is displayed. 1 indicates OK, 0 indicates an error.
- **Error message**, according to failure. Refer to *Error Codes* on page 55.

IP Status

This screen describes the Ethernet configuration: IP, Mask, Gateway and MAC address (Media Access Control) of the Inverter.

```
IP 192.168.2.119
MSK 255.255.255.0
GW 192.168.2.1
MAC 0-27-02-00-39-36
```

ZigBee Status

This screen describes the ZigBee configuration:

```
PAN : XXXXX  
CH : XX / XXXX RSSI : <L>  
MID : XXXX XX
```

- **RSSI:** The receive signal strength indication of the closest ZigBee in the system. L = low, M = medium, H = high and (-) = no signal.
- **PAN ID:** The ZigBee transceiver PAN ID (Personal Area Network Identification), the ID uniquely represents a device in a Zigbee network.
- **Ch.:** The ZigBee transceiver channel
- **ID:** The ZigBee transceiver ID
- **MID:** The Master ID of the coordinator (master) ZigBee Plug-in. This field is shown only in devices with router (slave) ZigBee cards, and after a successful ZigBee association. If a ZigBee Plug-in is not connected, a **No ZigBee** message is displayed instead of the **MID** field.

Wi-Fi Status

This screen describes the Wi-Fi configuration:

```
IP : 192.168.2.119  
GW : 192.168.2.1  
SSID : xxxxxxxx  
RSSI : <L/M/H/->
```

- **IP:** The DHCP provided address
- **GW:** The gateway IP address
- **SSID:** Service Set Identifier - the name of a wireless local area network (WLAN). All wireless devices on a WLAN must employ the same SSID in order to communicate with each other.
- **RSSI:** The receive signal strength indication of the closest Wi-Fi in the SolarEdge system. L = low, M = medium, H = high and - = no signal.

GSM Status

If a GSM Plug-in is connected, this screen replaces the Server status screen:

```

Server : Cell    <S_OK>
Status :         <OK>
MNO : <xxxxxxx> Sig : 5
<Error message>
    
```

- **Server:** The method of communication to the SolarEdge monitoring platform. Should display **Cell**.
- **Status:** Displays OK if the inverter established a successful physical connection to the modem.
- **S_OK:** The last communication to the SolarEdge monitoring platform was successful (appears if the inverter is connected to the platform). If S_OK is not displayed, refer to *Status Screens - Operational Mode* on page 38.
- **MNO:** The mobile network operator name
- **Sig:** The signal strength, received from the modem. A value between 0-5, (0 = no signal; 5 = excellent signal)
- **Error message:** per communication connection status failure

Communication Ports Status

```

          Dev Prot  ##
RS485-1 <SE><S > <-->
ZigBee  <SE><MPS><-->
    
```

- **##:** The total number of slaves detected on the specific port
- **Dev:** The type of device that was configured to a specific port (based on the port’s functionality), as follows:
 - **SE:** SolarEdge device (default)
 - **LGR:** Non-SolarEdge logger
 - **MLT:** Multiple devices, such as meters and batteries
 - **HA:** Home automation devices (for Smart Energy)
- **PROT:** The protocol type to which the port is set:
 - For a SolarEdge device:

RS485 protocol	ZigBee protocol
S: SolarEdge slave	
M: SolarEdge master	
	P2P: ZigBee point-to-point
	MPM: ZigBee multipoint master (for the ZigBee gateway or for load management by the inverter)
	MPS: ZigBee multipoint slave (for a ZigBee router card)

- For electricity meters, refer to the *application note - Connecting an Electricity Meter to SolarEdge Devices* at <http://www.solaredge.com/files/pdfs/solaredge-meter-installation-guide.pdf>.
- **SS:** SunSpec - for a non-SolarEdge logger (monitoring and control)



Smart Energy Management Status

This screen is displayed only when Smart Energy Management is enabled. The screen shows energy details of the site:

```
Site Limit:      7.0 kW
Site Prod:       10.0 kW
Site Export:     4.0 kW
Self-consume:   6.0 kW
```

- **Site Limit:** The limit that was defined for the site
- **Site Prod:** The power produced by the site
- **Site Export:** The power that is fed into the grid
- **Self-consume:** The PV power consumed by the site

For more information, refer to the *Export Limitation Application Note*, available on the SolarEdge website at http://www.solaredge.com/files/pdfs/products/feed-in_limitation_application_note.pdf.



Power Control Status

This screen is displayed only when Power Control is enabled (available from communication board (CPU) firmware version 2.7xx/3.7xx and later).

```
PWR CTRL:  REMOTE
PWR Limit:  10.04 kW
CosPhi:     0.9
Power Prod: 7000W
```

- **PWR CTRL:** The power control status:
 - **REMOTE** - Communication with the RRCR or smart energy manager is confirmed/validated.
 - **LOCAL** - The power is controlled locally (e.g. by a fixed limit), or this inverter limits the PV power production to its relative portion of the feed-in power limit, as a result of disconnected communication with the smart energy manager. If this status appears, check the communication to the smart energy manager or the communication to the meter.
- **PWR Limit:** The inverter maximum output power set by one of the power limiting options:
 - RRCR
 - Smart energy manager (Feed-in limitation)
 - P(f)
 - P(U)
 - Q(U)
- **Cos Phi:** The ratio between active to reactive power
- **Power Prod:** The power produced by the inverter

For more information, refer to the *Power Control Application Note*, available on the SolarEdge website at http://www.solaredge.com/files/pdfs/application_note_power_control_configuration.pdf.



Chapter 6: Setting Up Communication

The inverter sends the following information to the monitoring platform:

- Power optimizer information received via the DC power lines (the PV output circuit)
- Inverter information
- Information of any other connected devices

This chapter describes setting up communication between:

- the inverter and the monitoring platform through the Internet (wired/ wireless), or through a cellular connection
- multiple inverters for a master/slave configuration

Communication setup is not required for power harvesting, however it is needed for using the monitoring platform.

CAUTION!



When connecting the communication cables, make sure that the ON/OFF switch at the bottom of the inverter (and the switch of the DC Safety Unit if applicable) is turned OFF, and the AC is turned OFF.

When configuring the communication parameters, make sure that the ON/OFF switch (and the switch of the DC Safety Unit if applicable) is OFF, and the AC is turned ON.

Communication Options

The following types of communication can be used to transfer the monitored information from the inverter to the monitoring platform.

Only communication products offered by SolarEdge are supported.

Ethernet

Ethernet is used for a LAN connection. For connection instructions refer to *Creating an Ethernet (LAN) Connection* on page 47.

RS485

RS485 is used for the connection of multiple SolarEdge devices on the same bus in a master-slave configuration. RS485 can also be used as an interface to external devices, such as meters and third party data loggers.

- RS485-1: Enables the connection of multiple devices (inverters/Commercial Gateway) over the same bus, such that connecting only one device to the Internet is sufficient to provide communication services for all the devices on the bus.
- RS485 Plug-in: The RS485 Plug-in provides an additional RS485 port for the inverter for enhanced communications. The kit contains a module, which is installed on the communication board, and has a 3-pin RS485 terminal block. This kit is provided with an installation guide, which should be reviewed prior to connection see, https://www.solaredge.com/sites/default/files/RS485_expansion_kit_installation_guide.pdf



For connection instructions refer to *Creating an RS485 Bus Connection* on page 50.

Wi-Fi

This communication option enables using a Wi-Fi connection for connecting to the monitoring platform.

The Wi-Fi option requires a Wi-Fi Plug-in and an external antenna, available from SolarEdge in a kit, which can be purchased separately and assembled during system installation. The Wi-Fi Plug-in kit is provided with a user manual, which should be reviewed prior to connection. Refer to

http://www.solaredge.com/sites/default/files/se_wifi_communication_solution_installation_guide.pdf



Cellular

This wireless communication option (purchased separately) enables using a cellular connection to connect one or several devices (depending on the data plan used) to the monitoring platform.

The GSM Plug-in is provided with a user manual, which should be reviewed prior to connection. Refer to https://www.solaredge.com/sites/default/files/cellular_gsm_installation_guide.pdf



ZigBee

This option enables wireless connection to one or several Smart Energy products, which automatically divert PV energy to home appliances.

This option enables wireless connection, and requires a ZigBee Plug-in and an external antenna. ZigBee connection is used for:

- *Monitoring* - connection of one or several devices to a SolarEdge ZigBee Gateway, for wireless communication to the SolarEdge monitoring platform.

The ZigBee Gateway is provided with an installation guide, which should be reviewed prior to connection. Refer to <https://www.solaredge.com/sites/default/files/se-zigbee-home-gateway-installation-guide.pdf>.

- *Smart Energy Management* - wireless connection to one or several Smart Energy products, which automatically divert PV energy to home appliances.

The Smart Energy products are provided with an installation guide, which should be reviewed prior to connection. Refer to <https://www.solaredge.com/products/device-control#/>.

The ZigBee Plug-in for Smart Energy is are provided with an installation guide, which should be reviewed prior to connection. Refer to <https://www.solaredge.com/sites/default/files/se-device-control-zigbee-module-installation-guide.pdf>



Communication Connector

A communication gland with multiple openings is used for connection of the various communication options. The table below describes the functionality of each gland opening. Unused openings should remain sealed.

Opening for cable size (diameter)	Connection type
2.5 - 5 mm	RS485
4.5 - 7 mm, with cut	Ethernet (CAT5/6)
2 - 4 mm, with cut	ZigBee or Wi-Fi antenna cable

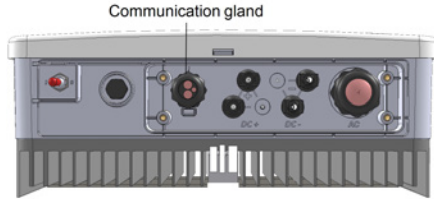


Figure 14: Communication Gland

The communication board has a standard RJ45 terminal block for Ethernet connection, a 6-pin terminal block for RS485 connection, and an 8-pin connector for power control devices.

The SolarEdge ZigBee or Wi-Fi Plug-in and the GSM cellular plug-in can be connected to the communication board for optional wireless connection.

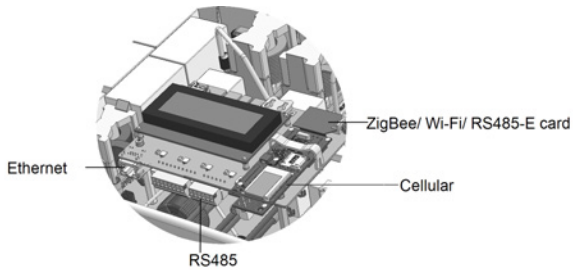


Figure 15: Communication board connectors

Removing the Inverter Cover

If the inverter cover is not already removed, use the following procedure for cover removal.

▶ To remove the inverter cover

1. Turn the inverter ON/OFF switch to OFF. Wait 5 minutes for the capacitors to discharge.

WARNING!

If the inverter was operating properly (power was produced by the power optimizers), the following message is displayed.



```
DC VOLTAGE NOT SAFE
DO NOT DISCONNECT
VDC: 72.0
```

This message is displayed until the DC voltage is safe (50V). Do not open the cover until the voltage is safe or until at least five minutes have passed.

2. Turn the Safety Switch (if applicable) to OFF.
3. Disconnect the AC to the inverter by turning OFF the circuit breakers on the distribution panel.

4. Open the inverter cover (see Figure 16):
 - a. Release the six Allen screws of the cover.
 - b. Tilt the top of the cover towards you.
 - c. Slide the cover down and remove it.



CAUTION! When removing the cover, make sure not to damage the internal components. SolarEdge will not be held responsible for any components damaged as a result of incautious cover removal.

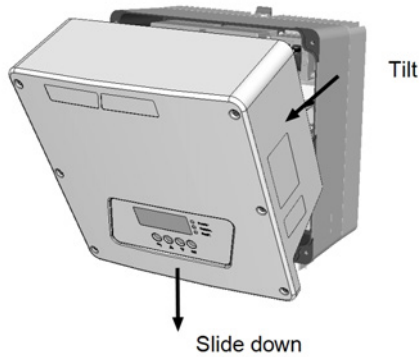


Figure 16: Removing the Inverter Cover

Creating an Ethernet (LAN) Connection

This communication option enables using an Ethernet connection to connect the inverter to the monitoring platform through a LAN.

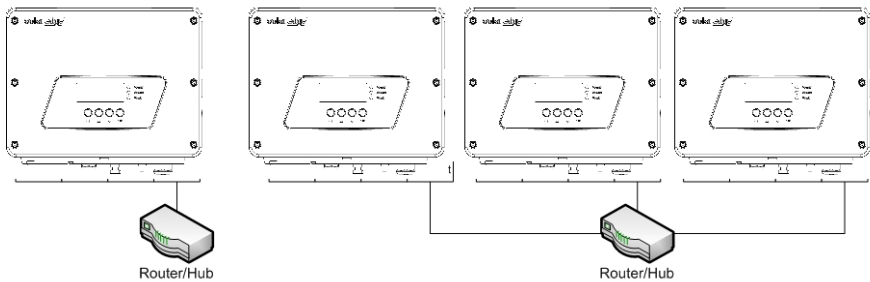


Figure 17: Example of Ethernet connection

Ethernet cable specifications:

- Cable type – a shielded Ethernet cable (Cat5/5E STP) may be used
- Maximum distance between the inverter and the router – 100 m/ 330 ft.

NOTE



If using a cable longer than 10 m / 33 ft in areas where there is a risk of induced voltage surges by lightning, it is recommend to use external surge protection devices.

For details refer to: http://www.solaredge.com/files/pdfs/lightning_surge_protection.pdf.



To connect the Ethernet cable:

1. Remove the inverter cover as described in *Removing the Inverter Cover* on page 46.
2. Open the communication gland.



CAUTION!

The gland includes a rubber waterproof fitting, which should be used to ensure proper sealing.

3. Remove the plastic seal from one of the large openings.
4. Remove the rubber fitting from the gland and insert the CAT5/6 cable through the gland and through the gland opening in the inverter.
5. Push the cable into the cut opening of the rubber fitting.

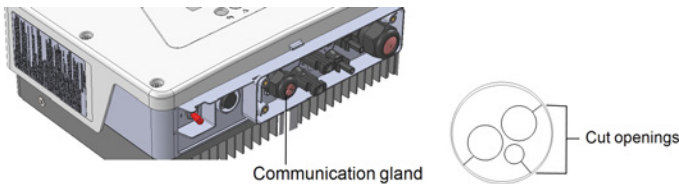


Figure 18: Communication gland and rubber fitting

CAT5/6 standard cables have eight wires (four twisted pairs), as shown in the diagram below. Wire colors may differ from one cable to another. You can use either wiring standard, as long as both sides of the cable have the same pin-out and color-coding.

RJ45 Pin #	Wire Color ¹		10Base-T Signal 100Base-TX Signal
	T568B	T568A	
1	White/Orange	White/Green	Transmit+
2	Orange	Green	Transmit-
3	White/Green	White/Orange	Receive+
4	Blue	Blue	Reserved
5	White/Blue	White/Blue	Reserved
6	Green	Orange	Received-
7	White/Brown	White/Brown	Reserved
8	Brown	Brown	Reserved

¹The inverter connection does not support RX/TX polarity change. Supporting crossover Ethernet cables depends on the switch capabilities.

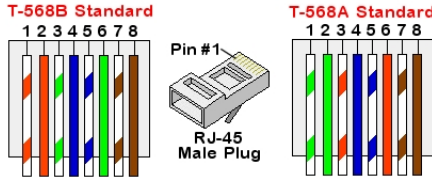


Figure 19: Standard cable wiring

6. Use a pre-terminated cable to connect via gland #1 to the RJ45 plug on the inverter's communication board or, if using a spool of cable, connect as follows:
 - a. Insert the cable through the gland.
 - b. Remove the cable's external insulation using a crimping tool or cable cutter and expose eight wires.
 - c. Insert the eight wires into an RJ45 connector, as described in *Figure 19*
 - d. Use a crimping tool to crimp the connector.
 - e. Connect the Ethernet connector to the RJ45 port on the communication board.

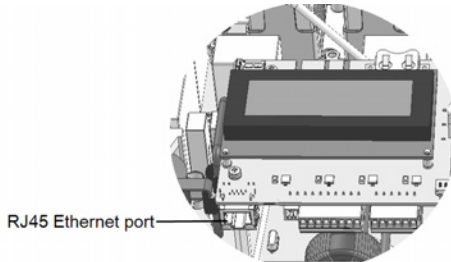


Figure 20: The RJ45 Ethernet connection

7. For the switch/router side, use a pre-terminated cable or use a crimper to prepare an RJ45 communication connector: Insert the eight wires into the RJ45 connector in the same order as above (*Figure 19*).
8. Connect the cable RJ45 connector to the RJ45 port of the Ethernet switch or router. You can connect more than one inverter to the same switch/router or to different switches/routers, as needed. Each inverter sends its monitored data independently to the SolarEdge monitoring platform.
9. The inverter is configured by default to LAN. If reconfiguration is required:
 - a. Make sure the ON/OFF switch is OFF.
 - b. Turn ON the AC to the inverter by turning ON the circuit breaker on the main distribution panel.
 - c. Use the internal user buttons to configure the connection, as described in *Communication* on page 34.

NOTE



If your network has a firewall, you may need to configure it to enable the connection to the following address:

- Destination Address: prod.solaredge.com
- TCP Port: 22222 (for incoming and outgoing data)

10. Verify the connection, as described in *Verifying the Connection* on page 53.

Creating an RS485 Bus Connection

The RS485 option enables creating a bus of connected inverters, consisting of up to 31 slave inverters and 1 master inverter. Using this option, inverters are connected to each other in a bus (chain), via their RS485 connectors. The first and last inverters in the chain must be terminated as described on page 52.

RS485 wiring specifications:

- Cable type: Min. 3-wire shielded twisted pair (a shielded Ethernet cable (Cat5/5E STP) may be used)
- Wire cross-section area: 0.2- 1 mm²/ 24-18 AWG (a CAT5 cable may be used)
- Maximum nodes: 32
- Maximum distance between first and last devices: 1 km /3300 ft.

NOTE

If using a cable longer than 10 m/33 ft in areas where there is a risk of induced voltage surges by lightning, it is recommend to use external surge protection devices. For details refer to:

https://www.solaredge.com/sites/default/files/lightning_surge_protection.pdf.

If grounded metal conduit are used for routing the communication wires, a lightning protection device is not required.

If not using surge protection, connect the grounding wire to the first inverter in the RS485 chain; make sure the grounding wire is not in contact with other wires. For inverters with a DC Safety Unit, connect the grounding wire to the grounding bus-bar in the DC Safety Unit.



NOTE

An additional RS485 port (RS485-Plug-in) is available from SolarEdge, allowing configuration of multiple RS485 buses for communications in large sites; Refer to http://www.solaredge.com/files/pdfs/RS485_expansion_kit_installation_guide.pdf.



The following sections describe how to physically connect the RS485 bus and how to configure the bus.

► To connect the RS485 communication bus:

1. Remove the inverter cover as described in *Removing the Inverter Cover* on page 46.
2. Remove the seal from one of the openings in communication gland and insert the wire through the opening.

3. Pull out the 6-pin RS485 terminal block connector, as shown below:

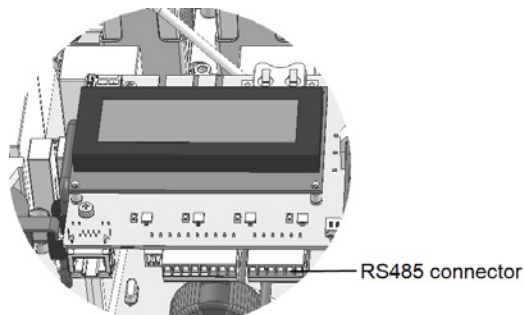


Figure 21: The RS485 terminal block

4. Loosen the screws of pins A(+), B(-), and G on the left of the RS485 terminal block (RS485-1).

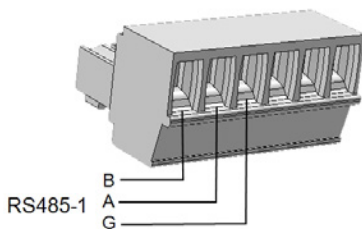


Figure 22: RS485 terminal block

5. Insert the wire ends into the **G**, **A** and **B** pins shown above. Use Four- or six-wire twisted pair cable for this connection.

You can use any color wire for each of the **A**, **B** and **G** connections, as long as:

- The same color wire is used for all A pins the same color for all B pins and the same color for all G pins
- The wire for G is not from the same twisted pair as A or B.

- For creating an RS485 bus - connect all B, A and G pins in all inverters. The following figure shows this connection schema:

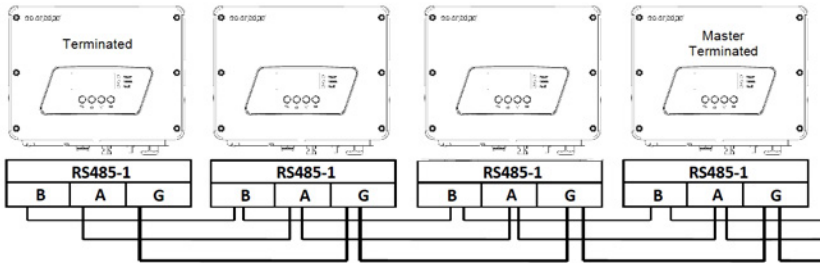


Figure 23: Connecting the inverters in a chain



NOTE
Do not cross-connect B, A and G wires.

- Tighten the terminal block screws.
- Check that the wires are fully inserted and cannot be pulled out easily.
- Push the RS485 terminal block firmly all the way into the connector on the right side of the communication board.
- Terminate the first and last SolarEdge device in the chain by switching a termination DIP-switch inside the inverter to ON (move the left switch up). The switch is located on the communication board and is marked SW2.

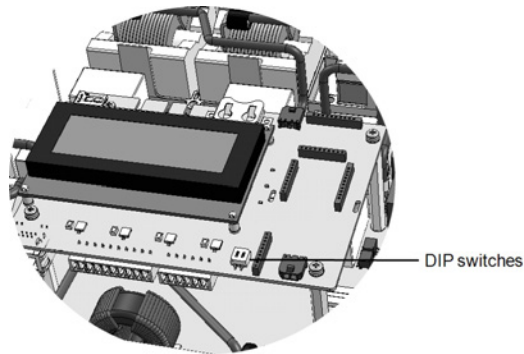


Figure 24: RS485 termination switch



NOTE
Only the first and last SolarEdge devices in the chain should be terminated. The other inverters in the chain should have the termination switch OFF (down position).

- If not using surge protection, connect the grounding wire to the first inverter in the RS485 chain; make sure the grounding wire is not in contact with other wires. For inverters with a DC Safety Unit, connect the grounding wire to the grounding bus-bar in the DC Safety Unit.

▶ To connect to the monitoring platform:

1. Designate a single inverter as the connection point between the RS485 bus and the SolarEdge monitoring platform. This inverter will serve as the master inverter.
2. Connect the master to the SolarEdge monitoring platform via the LAN or ZigBee communication option.

▶ To configure the RS485 communication bus:

All inverters are configured by default as slaves. If reconfiguration is required:

1. Make sure the ON/OFF switch is OFF.
2. Turn ON the AC to the inverter by turning ON the circuit breaker on the main distribution panel.



WARNING!

ELECTRICAL SHOCK HAZARD. Do not touch uninsulated wires when the inverter cover is removed.

3. Use the internal buttons to configure the connection (slightly touch the black square buttons). To set the inverter designated as master, select the following in the LCD menus:
 - Communication → Server → **LAN, ZigBee or Wi-Fi**
 - RS485-1 Conf. → Device Type → **SolarEdge**
 - RS485-1 Conf. → Protocol → **Master**
 - RS485-1 Conf. → **Slave Detect**

The system starts automatic detection of the slave inverters connected to the master inverter. The inverter should report the correct number of slaves. If it does not, verify the connections and terminations.

4. Verify the connection of the master to the monitoring platform, as described in the next section.

Verifying the Connection

After connecting and configuring a communication option, perform the following steps to check that the connection to the monitoring server has been successfully established.

1. Close the inverter cover: Attach the inverter cover and secure it by tightening the screws with a torque of 3.0 N*m/ 2.2 lb.*ft. For proper sealing, first tighten the corner screws and then the two central screws.
2. If not already ON - Turn ON the AC to the inverter by turning ON the circuit breaker on the main distribution panel and turning on the (if applicable).
3. Wait for the inverter to connect to the SolarEdge monitoring platform. This may take up to two minutes.

A status screen similar to the following appears on the LCD panel:

```
V a c [ V ]   V d c [ V ]   P a c [ w ]
2 4 0 . 7     1 4 . 1     0 . 0
P _ O K :   0 0 0 / 0 0 0   < S _ O K >
                   O F F
```

S_OK: Indicates that the connection to the SolarEdge monitoring platform is successful. If S_OK is not displayed, refer to *Troubleshooting Communication on page 54*.

Appendix A: Errors and Troubleshooting

This appendix describes general system problems, and how to troubleshoot them. For further assistance, contact SolarEdge Support.

Troubleshooting Communication

Troubleshooting Ethernet Communication

When using Ethernet communication, use the **Server Communication Status** window to identify the location of the error:

```
Server : LAN    <S_OK>
Status :      <OK>
          xxxxxxxx
<ERROR MESSAGE>
```

xxxxxxx is a string of 1s and 0s showing an eight-bit communication connection status. 1 indicates OK and 0 indicates an error.

Bit Location	Error Message	Cause and Troubleshooting
1st	LAN Disconnected	Physical connection fault. Check the cable pin-out assignment and cable connection. Refer to <i>Creating an Ethernet (LAN) Connection</i> on page 47
2nd	DHCP Failed, or Invalid DHCP Config	IP settings issue. Check the router and configuration. Consult your network IT.
3rd	Gateway Ping Failed	Ping to router failed. Check the physical connection to the switch/router. Check that the link LED at the router /switch is lit (indicating phy-link). If OK - contact your network IT, otherwise replace the cable or change it from cross to straight connection.
4th	G Server Ping Failed	Ping to google.com failed. Connect a laptop and check for internet connection. If internet access is unavailable, contact your IT admin or your internet provider. For Wi-Fi networks, ensure that username and password are as defined in the internet provider AP/router.
5th	Server x Ping Failed	Ping or connection to SolarEdge server failed. Check the SolarEdge server address, under LAN Conf submenu: Address: prod.solaredge.com
6th		Port: 22222
7th		Check with your network administrator whether a firewall or another device is blocking transmission.
8th	Tcp Connect. Failed	

Troubleshooting RS485 Communication

1. If the message **Master Not Found** appears, check the connections to the master device and fix if required.
2. If after slave detection the number of slaves displayed in the master under **RS485-X Conf** → **Slave Detect** is smaller than the actual number of slaves, use one of the following methods to identify missing slaves and troubleshoot connectivity problems:
 - Use the **Long slave Detect** to retry connecting to slaves
 - Analyze the **Slave List** to check for missing slaves, and check their connection

Refer to https://www.solaredge.com/sites/default/files/troubleshooting_undetected_RS485_devices.pdf



Additional Troubleshooting

1. Check that the modem or hub/router is functioning properly.
2. Check that the connection to the internal connector on the communication board is properly done.
3. Check that the selected communication option is properly configured.
4. Use a method independent of the SolarEdge device to check whether the network and modem are operating properly. For example, connect a laptop to the Ethernet router and connect to the Internet.
5. Check whether a firewall or another type of network filter is blocking communication.

Error Codes

The error messages include an error number (in firmware version 3.18xx and before) or a code (in Firmware version 3.19xx and above) and a description:

```

Error Code XXX
( 3 x D 2 )
Error Code 3 x D 2

< Line 1 >
< Line 2 >

```



XXX: The error number (firmware version 3.18xx and before).

(#-X#): A code indicating the source of error and the error information (firmware version 3.19xx and later).

Line 1-2: Error description



The error numbers/ codes may differ depending on the inverter type as described in the table below. For troubleshooting errors that are not listed, contact SolarEdge support.


Make sure to have this information at hand when contacting SolarEdge Support for advanced troubleshooting.

Code		Error Message	Troubleshooting
CPU v3.18xx and below	CPU v3.19xx and above		
44	3xB	No Country Selected	Select the country as described in <i>Country and Grid</i> on page 34
45	3x2	Inv. Comm. Error	No communication with the digital board. Contact SolarEdge support.
48	3xF	SW Error	Contact SolarEdge support.
176	3x6A	For info contact your installer	Inverter remotely locked. Contact your installer.
178	3x6D	Internal RGM Error	Check: <ul style="list-style-type: none"> The wiring of the meter CTs Connections to the inverter communication board.
185	3x6E	Meter Comm. Error	Refer to the meter troubleshooting in  http://www.solaredge.com/sites/default/files/solaredge-meter-installation-guide.pdf
193	3x6A	OFF/ON to Reconnect	Turn the ON/OFF switch to ON to initiate production.
169	18xA9		RCD Sensor Error. Contact SolarEdge support.
166-168, 170	18xA6-A8 , 18xAA	HW error	Contact SolarEdge support.
171	18xAB	Over voltage Vin	Over voltage in DC input of the inverter. Check the strings' voltage.
12	18xC	ARC_DETECTED	Refer to  http://www.solaredge.com/sites/default/files/arc_fault_detection_application_note.pdf .
13	18xD	ARC_PWR_DETECT	
55	18x37	V-Line Max	AC voltage too high <ul style="list-style-type: none"> Verify that the inverter is set to the correct country. Turn OFF the inverters in the site and verify AC grid voltage. If the inverter is located far from the

Code		Error Message	Troubleshooting
CPU v3.18xx and below	CPU v3.19xx and above		
			connection point to the grid, use a larger gauge AC wire. <ul style="list-style-type: none"> Consult the grid operator. If permitted by local authorities, change the grid protection values. Refer to http://www.solaredge.com/files/pdfs/viewing_grid_protection_values.pdf
56	18x38	V-Line Min	AC voltage too low <ul style="list-style-type: none"> Verify that the inverter is set to the correct country. Consult the grid operator. If permitted by local authorities, change the grid protection values. Refer to http://www.solaredge.com/files/pdfs/viewing_grid_protection_values.pdf
57, 59, 60	18x39/3B/3C	I-ACDC L1/L2/L3	AC overcurrent. Contact SolarEdge support.
61	18x3D	I-RCD STEP	Ground Current – RCD. Contact SolarEdge support.
62	18x3E	I-RCD MAX	
64-66	18x40-59/A-F	F-L1/L2/L3 Max 1/2/3	AC frequency too high (Line 1/2/3) <ul style="list-style-type: none"> Verify that the inverter is set to the correct country. Consult the grid operator. If permitted by local authorities, change the grid protection values. Refer to http://www.solaredge.com/files/pdfs/viewing_grid_protection_values.pdf
67-69	18x40-59/A-F	F-L1/L2/L3 Min 1/2/3	AC frequency too low (Line 1/2/3) Handle as for the error above.
96,98	18x60/18x62	Islanding Trip1/2	AC grid voltage malfunction. When AC voltage returns the inverter should restart after the reconnection time. If the problem persists, consult with the grid operator.
100-102	18x64-66	TZ L1/L2/L3	AC overcurrent. Contact SolarEdge support.
111-113	18x6F/70/71	Vsrg L1/L2/L3 Max	AC voltage surge. <ul style="list-style-type: none"> Check the AC connection to inverter. Verify that the inverter is set to the correct country. Check with the grid operator if a large surge source or irregular load exists near the site. Verify that the output wire size matches the distance between the inverter and the location of the grid connection. Use a larger gauge wire for the AC output. Refer to the AC <i>Wiring Application Note</i>



Code		Error Message	Troubleshooting
CPU v3.18xx and below	CPU v3.19xx and above		
			http://www.solaredge.com/files/pdfs/application-note-recommended-wiring.pdf
117	18x75	Overtemp	<p>Temperature too high</p> <ul style="list-style-type: none"> Verify proper inverter clearances. Make sure the heat-sink fins are clean and unobstructed.
118	18x76	Undertemp	<p>Temperature too low</p> <p>Make sure the inverter is installed in a location with ambient temperatures within the range specified in the datasheet.</p>
123	18x7B	MainError	Grid measurements are out of range. Contact the grid operator.
127	18x7F	IRCDMax	<p>RCD current surge.</p> <p>Ground faults may occur due to insufficient insulation to the ground.</p> <div style="text-align: center;">  <p>WARNING! ELECTRICAL SHOCK HAZARD. Do not touch uninsulated wires when the inverter cover is removed.</p> </div> <p>Only a qualified technician should handle this problem, and only after taking proper precautions.</p> <ol style="list-style-type: none"> Turn the inverter ON/OFF switch to OFF. Wait five minutes for the input capacitors to discharge. Disconnect the AC breaker. Disconnect the DC inputs. Connect each DC string separately, turn the AC and the inverter ON/OFF switch to ON, until the error appears for the faulty string. <ul style="list-style-type: none"> Do not connect strings with a grounding fault to the inverter. A certified installer must fix the faulty string before connecting it to the inverter For further documentation, contact SolarEdge Support.
133	18x85	Temp Sensor fault	Broken or unconnected temperature sensor. Contact SolarEdge Support.
134	18x86	Isolation	<p>PV Isolation fault. The inverter has detected the PV solar array is not properly isolated from ground earth. The isolation is checked each time the inverter starts up.</p> <ul style="list-style-type: none"> Check the PV installation for isolation problems and ground leakage. Only a certified PV installer must fix the faulty string before connecting it to the inverter. Refer to www.solaredge.com/files/pdfs/applicatio 


Code		Error Message	Troubleshooting
CPU v3.18xx and below	CPU v3.19xx and above		
			n_note_isolation_fault_troubleshooting.pdf
137	18x89	RCD Test	Contact SolarEdge support.
158	18x9E	Controller 3 Err	Contact SolarEdge support.
163	18xA3-5	Tz Over current 1/2/3	Contact SolarEdge support.
166-168	18xA6-8	Tz Over voltage cap1/2/3	<ul style="list-style-type: none"> o Verify that the inverter is set to the correct country. o Turn OFF the inverters in the site and verify AC grid voltage. o If the inverter is located far from the connection point to the grid, use a larger gauge AC wire. o Consult the grid operator. o If permitted by local authorities, change the grid protection values. Refer to http://www.solaredge.com/files/pdfs/viewing_grid_protection_values.pdf 
169	18xA9	Tz Over current Rcd	Contact SolarEdge support.
178-180	18xB2-4	Vf1/2/3 surge	<p>Ground current surge.</p> <ul style="list-style-type: none"> o Check the AC connection to the inverter o Check with the grid operator if a large surge source or irregular load exists near the site. o If the grid does not have problems contact SolarEdge support.
199	18xC7	RSD Error	Rapid Shutdown hardware error. Contact SolarEdge support.

Power Optimizer Troubleshooting

If the inverter status screen indicates that not all power optimizers are paired or not all are reporting (P_OK xxx/yyy, and x<y), those optimizers can be identified through the LCD. Refer to https://www.solaredge.com/sites/default/files/non_reporting_power_optimizers.pdf



Problem	Possible cause and troubleshooting
Pairing failed	<p>Power optimizers are shaded.</p> <p>If you connected the inverter to the monitoring platform, retry pairing remotely (during sunlight). Make sure to leave the inverter ON/OFF switch ON and that S_OK appears in the status screen.</p>
String voltage is 0V	<p>Power optimizer (s) output is disconnected.</p> <p>Connect all power optimizer outputs.</p>
String voltage not 0V but lower than number of optimizers	<p>Power optimizer(s) not connected in the string.</p> <p>Connect all power optimizers</p>
	<p>Module(s) not connected properly to power optimizer inputs (not applicable to smart modules).</p> <p>Connect the modules to the optimizer inputs</p>
	<p>String reverse polarity.</p>
	<p>Check string polarity using a voltmeter and correct if needed.</p>

Problem	Possible cause and troubleshooting
<p>String voltage is higher than number of optimizers</p> <div style="border: 1px solid black; padding: 5px; margin-top: 10px;">  <p>WARNING! If the measured voltage is too high, the installation may not have a safe low voltage. PROCEED WITH CARE! A deviation of $\pm 1\%$ per string is reasonable.</p> </div>	<p>Extra power optimizer(s) connected in the string (not applicable to smart modules). Check if an extra power optimizer is connected in the string. If not – proceed to next solution.</p> <p>A module is connected directly to the string, without a power optimizer (not applicable to smart modules). Verify that only power optimizers are connected in the string and that no module outputs are connected without a power optimizer. If the problem persists, proceed to the next step.</p> <p>Power optimizer(s) malfunction.</p> <ul style="list-style-type: none"> ○ Disconnect the wires connecting the power optimizers in the string. ○ Measure the output voltage of each power optimizer to locate the power optimizer that does not output 1V safety voltage. If a malfunctioning power optimizer is located, check its connections, polarity, module, and voltage. ○ Contact SolarEdge Support. Do not continue before finding the problem and replacing the malfunctioning power optimizer. If a malfunction cannot be bypassed or resolved, skip the malfunctioning power optimizer, thus connecting a shorter string.

Appendix B: Mechanical Specifications

The following figure provides inverter dimensions in mm [in].

Mounting Brackets Type 1

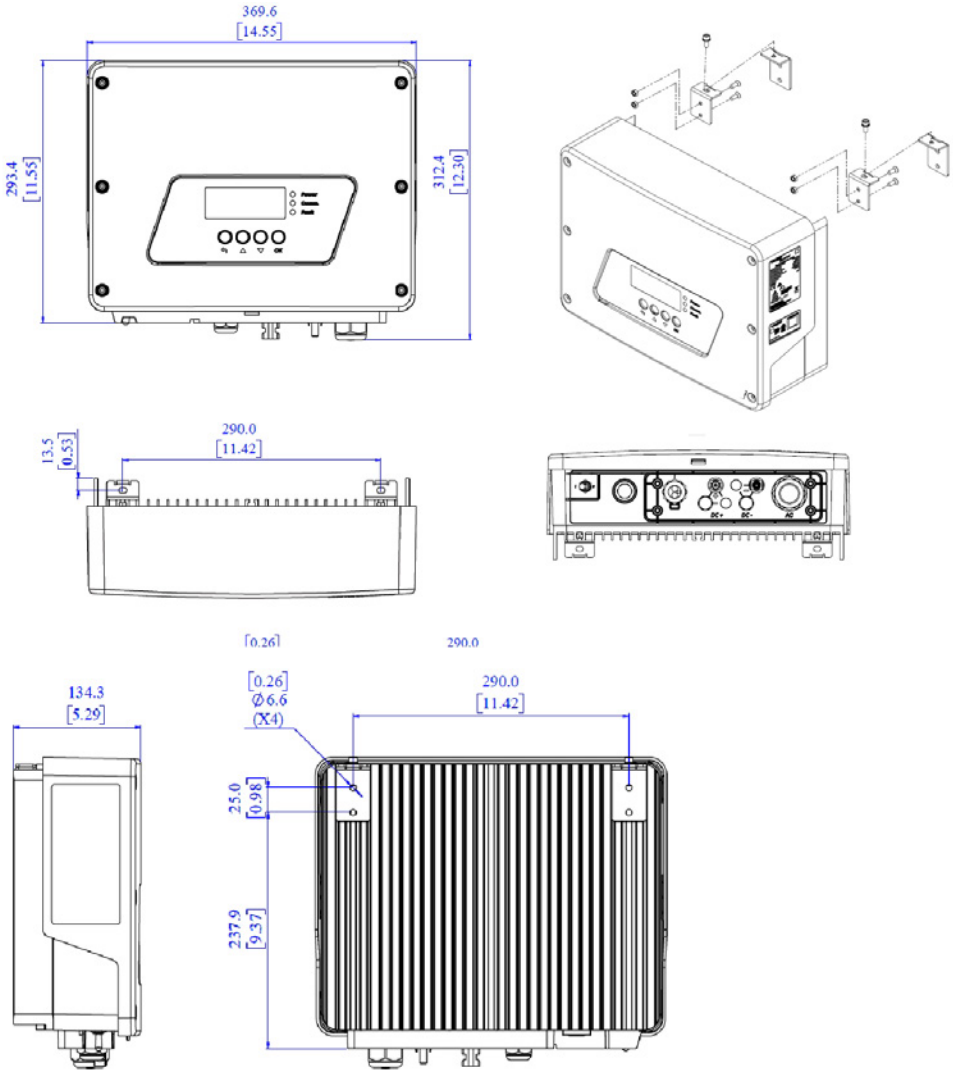


Figure 25: Single Phase Inverter with HD-Wave technology - dimensions

Mounting Bracket Type 2

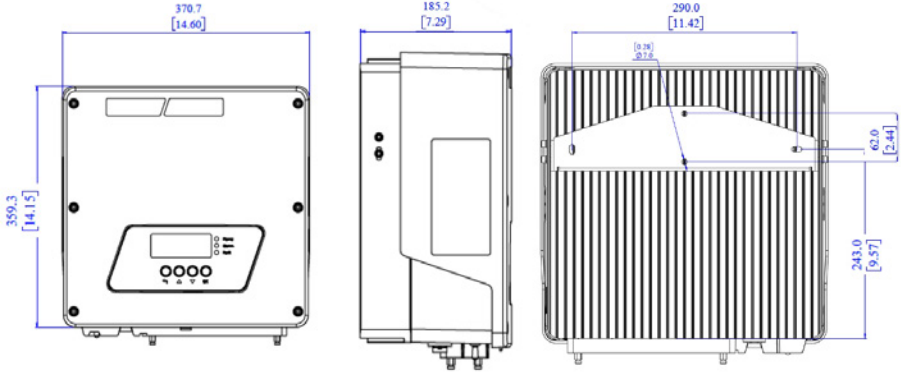


Figure 26: 10K - 11.4K inverter dimensions

Appendix C: Replacing and Adding System Components



NOTE

If you are permanently disassembling the installation or part of it, make sure to use the disposal methods dictated by local regulations.

Fuse Replacement

The inverter is equipped with a fuse, located at the top right corner of the inverter.

Fuse replacement kits are available from SolarEdge or you can use other fuses with identical ratings.

1. Turn OFF the inverter ON/OFF switch, and wait until the LCD indicates that the DC voltage is safe (<50V), or wait five minutes before continuing to the next step.



WARNING!

If you cannot see the inverter panel, or if a malfunction is indicated on the LCD panel, wait five minutes for the input capacitors of the inverter to discharge.

2. Turn OFF the DC Safety Unit .
3. Open and remove the inverter cover.
4. Remove the existing fuse from the upper corner of the inverter and replace with a new fuse.
5. Close the inverter cover.

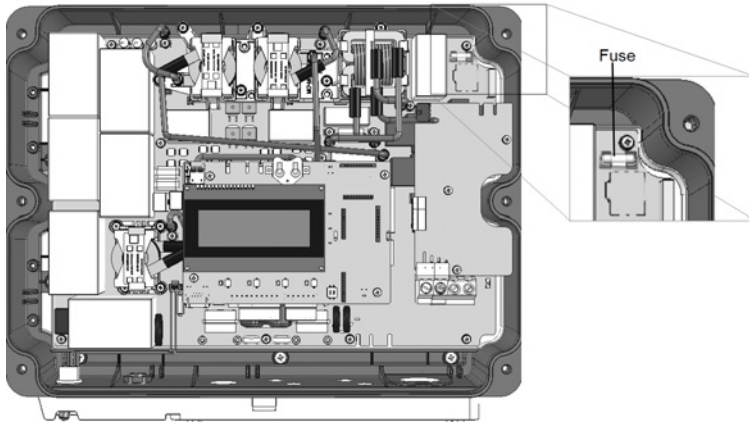


Figure 27: Inverter fuse

6. Turn ON:
 - The inverter ON/OFF switch
 - The DC Safety Unit
7. Verify proper system operation.

Replacing an Inverter

1. Turn OFF the inverter ON/OFF switch, and wait until the LCD indicates that the DC voltage is safe (<50V), or wait five minutes before continuing to the next step.

**WARNING!**

If you cannot see the inverter panel, or if a malfunction is indicated on the LCD panel, wait five minutes for the input capacitors of the inverter to discharge.

2. Disconnect the AC to the inverter by turning OFF the AC circuit breaker of the distribution panel.
3. Open the inverter cover as described in *Removing the Inverter Cover* on page 46.
4. Disconnect the DC plugs from the inverter.
5. Disconnect the AC wires from the AC terminal block and remove the ferrite bead.

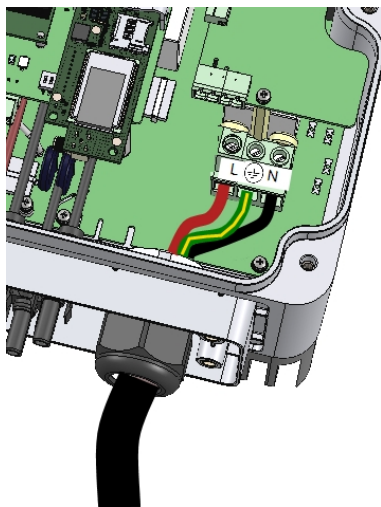


Figure 28: AC connections

- Remove the screws securing the inverter to the mounting brackets and lift the inverter from the mounting bracket.

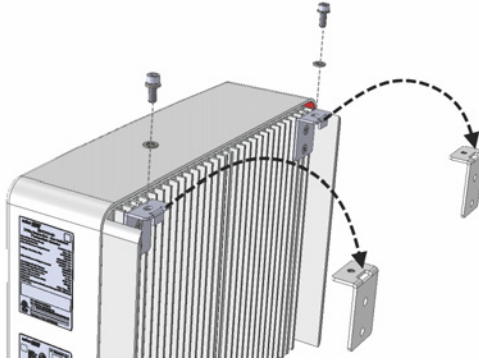


Figure 29: Mounting brackets



NOTE

If you remove the old inverter and do not immediately install a new one, use insulation tape to isolate each of the AC and DC wires

- Place the new inverter on the mounting brackets and secure it using the screws.
- Reconnect the cables: Follow the instructions of *Installing the Inverter* on page 19.
- Close the inverter cover.
- Perform the commissioning steps as described in *Commissioning the Installation* on page 25.

Appendix D: SafeDC™

When AC supply to the inverter is shut off (by shutting off the AC breaker at the site), or when the inverter ON/OFF switch is turned to OFF, the DC voltage drops to a safe voltage of per optimizer.

The SolarEdge inverters are certified for compliance with the following standards as disconnection devices for PV generators, meaning that they can replace a DC disconnect:

- IEC 60947-3:1999 + Corrigendum: 1999 + A1:2001 + Corrigendum 1:2001 + A2:2005;
- DIN EN 60947-3
- VDE 0660-107:2006-03
- IEC 60364-7-712:2002-05
- DIN VDE 0100-712:2006-06.

In compliance with these standards, the disconnection mechanism operates as follows:

1. Turn the inverter ON/OFF switch, located at the bottom of the inverter, to OFF, or disconnect the AC by shutting off the AC breaker at the site. The DC voltage displayed on the inverter LCD begins to decrease.

If the AC breaker was shut off, the LCD does not display. In this case, wait five minutes.

2. When the DC voltage reaches a safe voltage, the PV connectors at the input to the inverter can be disconnected. A galvanic separation then exists between the PV array and the inverter.

Single Phase Inverter with HD-Wave Technology Technical Specifications - Europe & APAC

	SE2200H	SE3000H	SE3500H	SE3680H	SE4000H	SE5000H	SE6000H	Units
OUTPUT								
Rated AC Power Output	2200	3000	3500	3680	4000	5000 ¹	6000	VA
Maximum AC Power Output	2200	3000	3500	4000	4000	5000	6000	VA
AC Output Voltage (Nominal)	220 / 230							Vac
AC Output Voltage Range	184 - 264.5							Vac
AC Frequency (Nominal)	50 / 60 ± 5							Hz
Maximum Continuous Output Current	10	14	16	16	18.5	23	27.5	A
Max. continuous overcurrent protection	10	14	16	16	18.5	23	27.5	A
Inrush current AC (Peak/Duration)	2.8/20							Aac(rms) / ms
Max. output fault current	38							A
Power factor range	1 (adjustable from -0.9 to +0.9)							
Total harmonic distortion	< 3 %							
Protective class	Class I							
Utility Monitoring, Islanding Protection, Country Configurable Thresholds	Yes							
Overvoltage category	III							

¹SE5000H is limited to 4600VA in Germany

	SE2200H	SE3000H	SE3500H	SE3680H	SE4000H	SE5000H	SE6000H	Units
INPUT								
Recommended Maximum DC Power	3400	4650	5425	5700	6200	7750	9300	W
Transformer-less, Ungrounded	Yes							
Maximum Input Voltage	480							Vdc
Nominal DC Input Voltage	380							Vdc
Maximum Input Current	6.5	9	10	10.5	11.5	13.5	16.5	Adc
Maximum back-feed current	0							
Reverse-Polarity Protection	Yes							
Ground-Fault Isolation Detection	600kΩ Sensitivity							
Overvoltage category	II							
Maximum Inverter Efficiency	99.2							%
European Weighted Efficiency	98.3	98.8				99		%
Nighttime Power Consumption	< 2.5							W
ADDITIONAL FEATURES								
Supported Communication Interfaces	RS485, Ethernet, ZigBee (optional), Wi-Fi (optional), Cellular (Optional) /							
Smart Energy Management	Export Limitation, Home Energy Management, StorEdge applications							
STANDARD COMPLIANCE								
Safety	IEC-62109-1/2, AS-3100							
Grid Connection Standards	AS-4777, VDE-AR-N-4105, VDE 0126-1-1, UTE_C_15-712, G83/2, G59/3, CEI-021, EN 50438, IEC61727, IEC62116, ÖNORM, TF3.2.1, C10-11, NRS 097-2-1							

	SE2200H	SE3000H	SE3500H	SE3680H	SE4000H	SE5000H	SE6000H	Units
Emissions	IEC61000-6-2, IEC61000-6-3, IEC61000-3-11, IEC61000-3-12, FCC part15 class B							
RoHS	Yes							
INSTALLATION SPECIFICATIONS								
AC Output - Cable Gland diameter	9 - 16							mm
AC Supported Wire Cross Section	1 - 16							mm ²
DC Input	1 x MC4			2 x MC4 pairs				
Dimensions (HxWxD)	280 x 370 x 142							mm
Noise	< 25							dBA
Weight	7.8				9	10.6	kg	
Cooling	Natural Convection							
Operating Temperature Range ¹	-20 to +60 (-40°C option)							°C
Protection Rating	IP65 / Type 3R - Outdoor and Indoor							

Recommended circuit breaker/ fuse size to use at the connection point of the SolarEdge inverter to the grid:

Inverter	Maximum Output Current (A)	Minimum Fuse Rating (A)	Maximum fuse rating (A)
SE2200H	10	16	38
SE3000H	14	20	38
SE3500H	16	20	38
SE3680H	16	20	38
SE4000H	18.5	25	38
SE5000H	23	32	38
SE6000H	27.5	40	50

¹For power de-rating information refer to: <https://www.solaredge.com/sites/default/files/se-temperature-derating-note.pdf>

If you have technical queries concerning our products, please contact our support through SolarEdge service portal:
<http://www.solaredge.com/service/support>

Australia (+61)	1800 465 567
APAC (Asia Pacific) (+972)	073 240 3118
Benelux NL (+31)	0800-7105
BE (+32)	0800-76633
China (+86)	21 6212 5536
France (+33)	0800 917 410
DACH and Rest of Europe (+49)	089 454 59730
Italy (+39)	0422 053700
Japan (+81)	03 6262 1223
New Zealand (+64)	0800 144 875
US & Canada (+1)	510 498 3200
United Kingdom (+44)	0800 028 1183
Greece (+49)	89 454 59730
Israel (+972)	073 240 3122
Middle East & Africa (+972)	073 240 3118
South Africa (+27)	0800 982 659
Turkey (+90)	216 706 1929
Worldwide (+972)	073 240 3118
Email to:	support@solaredge.com

www.solaredge.com

solaredge