

CHECKLIST FLATROOF

Please complete this form and send it by Mail to info@k2-systems.de or by fax to +49 (0) 7159 42059-209



MOUNTING SYSTEM D-DOME 6.10

MOUNTING SYSTEM DOME ZERO

MOUNTING SYSTEM S-DOME 6.10

MOUNTING SYSTEM TILTUP VENTO

Project details

NAME OF CUSTOMER

NAME OF PROJECT

Location

STREET / NO.

POSTCODE / CITY / COUNTRY

TEL. NO. FOR SHIPPING NOTIFICATION (NOTIFICATION OF DELIVERY)

Location/Site details

ALTITUDE m

WIND LOAD m/s kN/m²

SNOW LOAD (S_k) kN/m²

Topographic situation

CATEGORY 0
LAKESIDE OR COASTAL AREA



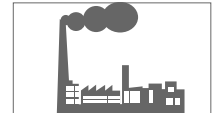
CATEGORY 1
FLAT FIELD WITH AND WITHOUT
FEW OBSTACLES



CATEGORY 2
FIELD WITH HEDGES



CATEGORY 3
URBAN ZONE INDUSTRIAL AREA



CATEGORY 4
URBAN AREA



Obstacles

SKYLIGHTS

VENT/CHIMNEY

AERIAL

VOIDS

LENGTH m

WIDTH m

HEIGHT m

Building / Roof data

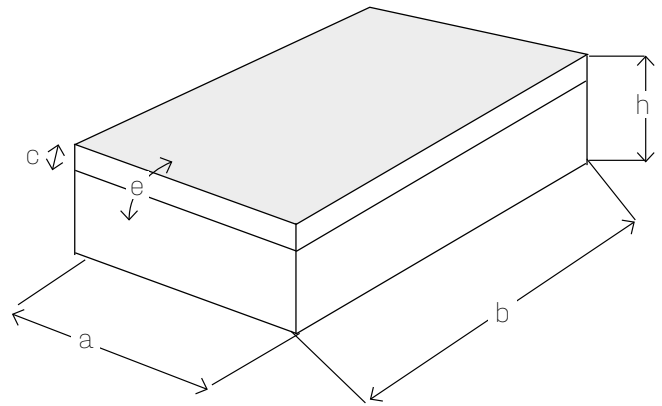
_____ m
A ROOF WIDTH

_____ m
B ROOF LENGTH

_____ m
C PARAPET WALL HEIGHT

_____ m
H BUILDING HEIGHT

_____ °
E ROOF PITCH



Flat roof (Roof covering)

Membrane/PVC

_____ mm
MANUFACTURER (IF KNOWN)

_____ COEFFICIENT OF FRICTION

Bituminous

_____ MANUFACTURER (IF KNOWN)

_____ COEFFICIENT OF FRICTION

_____ mm
ADDITIONAL GRAVEL FILL

ROOF PENETRATION POSSIBLE
YES NO

_____ kg/m²
ALLOWED VALUE OF ADDITIONAL LOADS ONTO EXIST. ROOF CONSTRUCTION

_____ GREEN/BROWN ROOF

_____ OTHER

Module types / data

_____ MODULE TYPE

_____ WP
MODULE OUTPUT

_____ KG
MODULE WEIGHT

MODULE CLAMPING
LONG SIDE SHORT SIDE

_____ / _____ MM
MODULE DIMENSIONS

_____ PCS.
NO'S OF MODULES (project-based)

MODULE ORIENTATION
LANDSCAPE PORTRAIT

